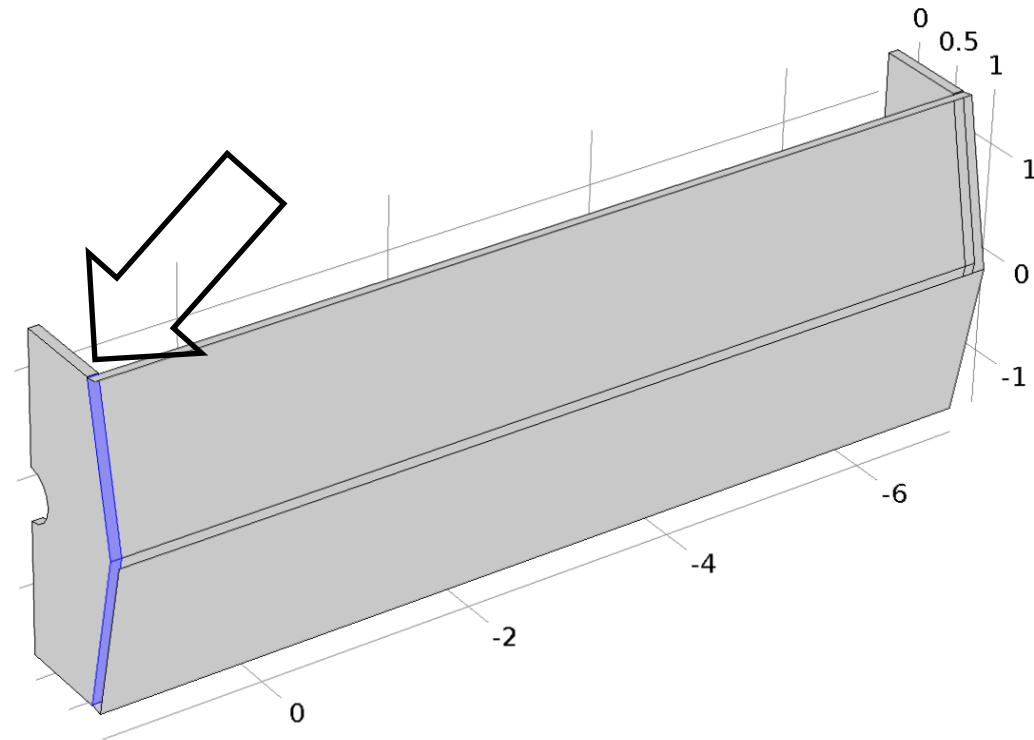


Study on Gap between Backing Plate and Partial Return Yoke

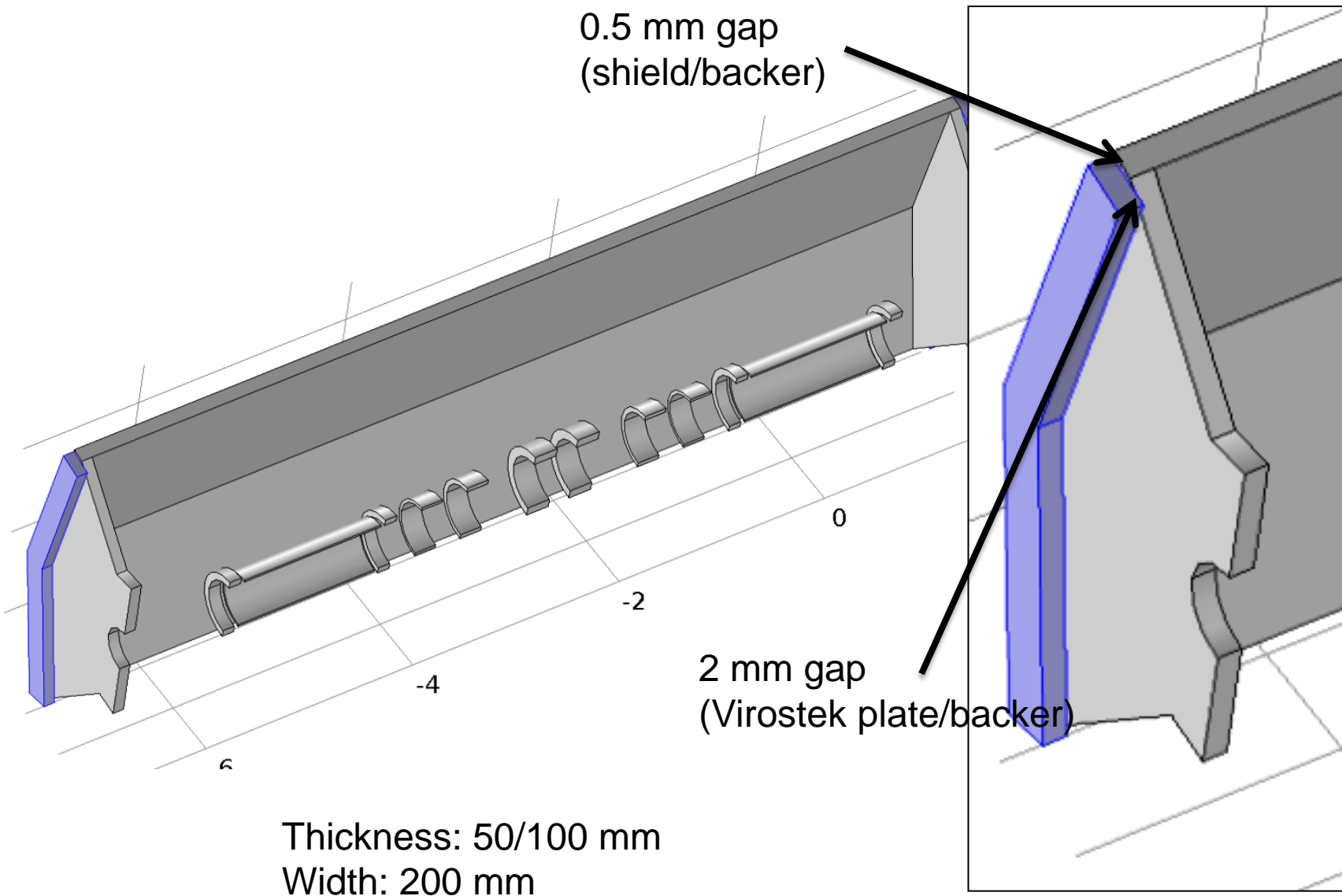
Holger Witte
Brookhaven National Laboratory
Advanced Accelerator Group

Tolerance PRY / Virostek Plate

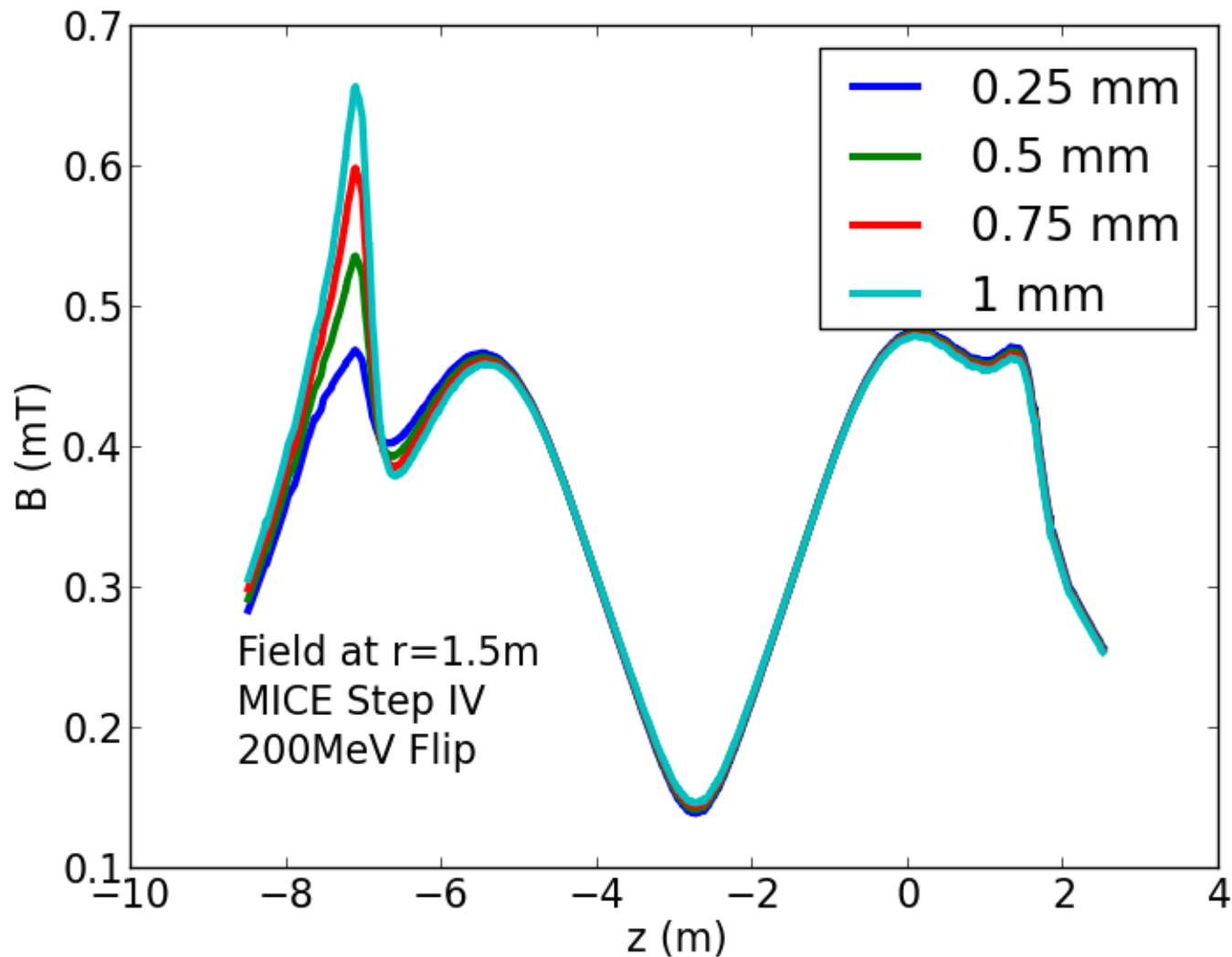
- Interface Virostek shield / Partial Return Yoke
 - Vertical gaps detrimental for performance
 - Separate parts: gap?
- Simulation
 - Assume 3 mm gap



Connection



Gap Study



Field at $r=1.5$ m
MICE Step IV
200 MeV Flip