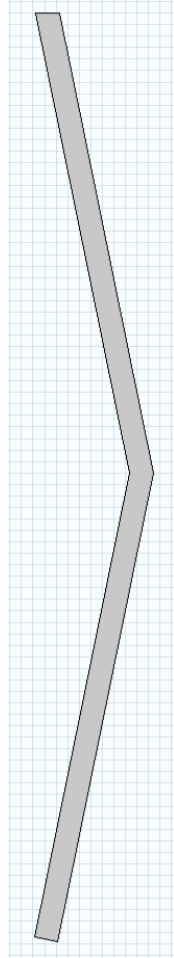
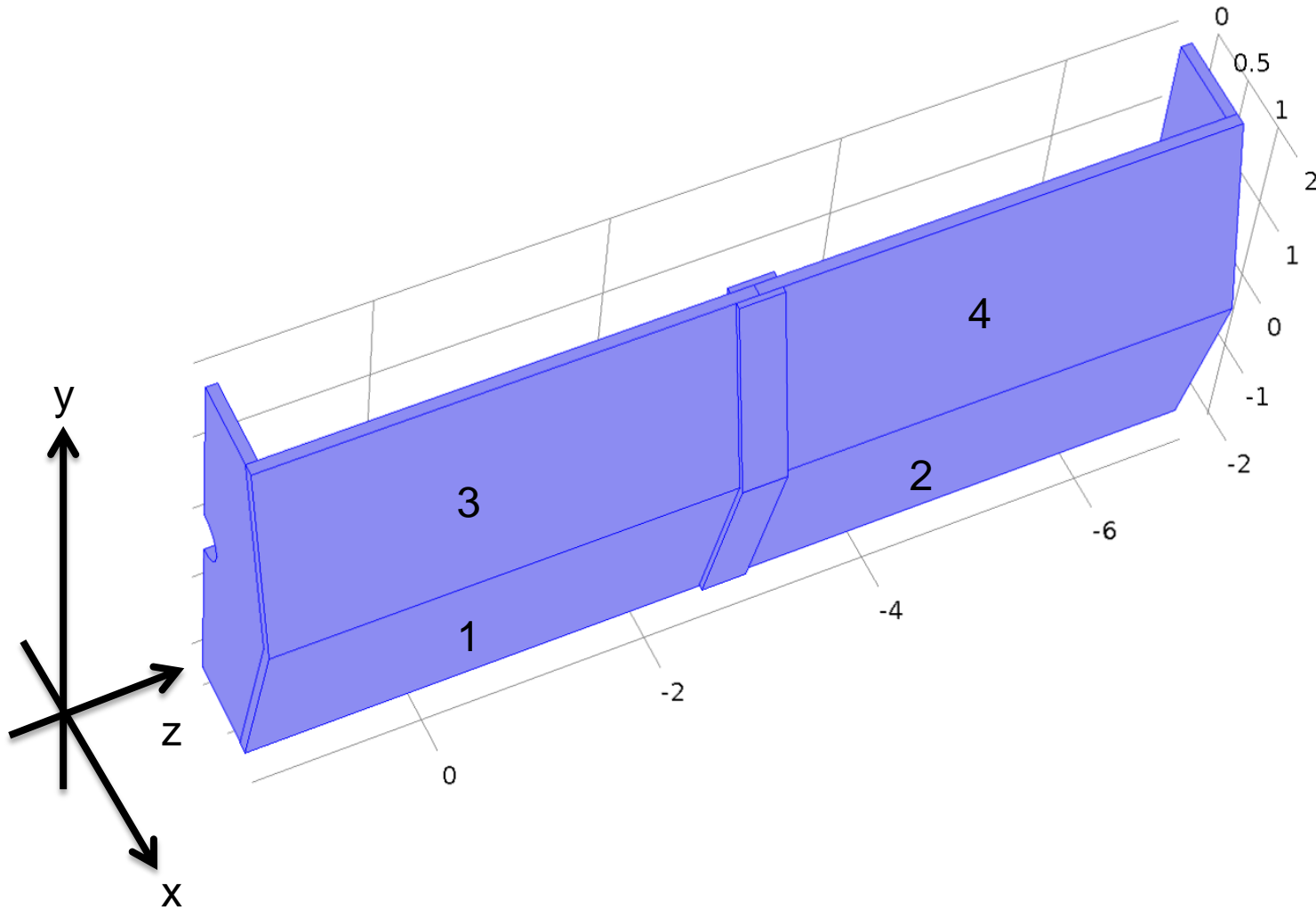


# Forces on Shield

Holger Witte  
Brookhaven National Laboratory  
Advanced Accelerator Group

# No Booster Plates

# Geometry

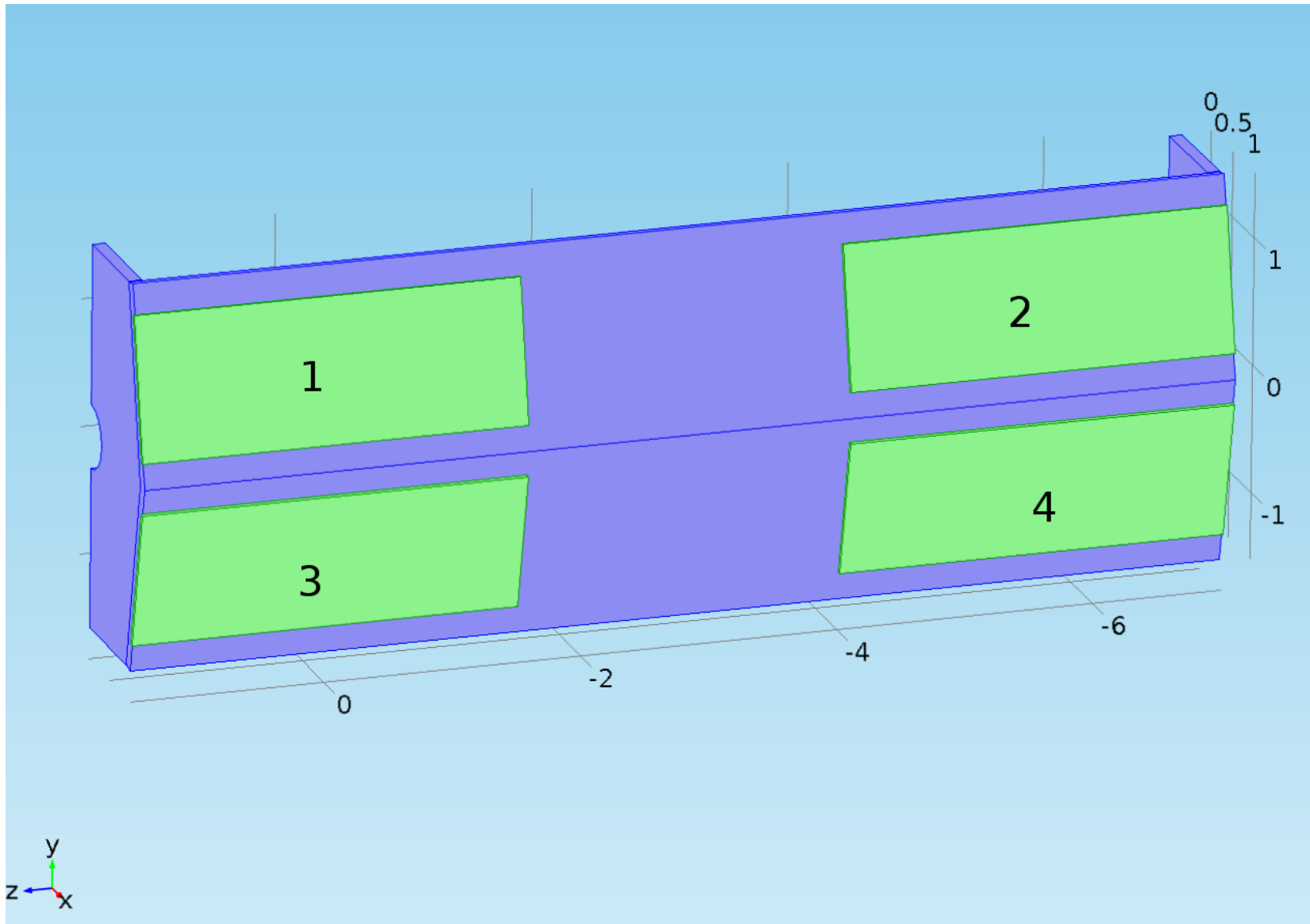


	200 MeV Flip	240 MeV Flip	200 MeV Solenoid	240 MeV Solenoid	Case 5 Solenoid
Section 1 $F_x$	-7376.33	-8460.42	-2344.79	-2258.92	-3077.52
Section 1 $F_y$	1432.616	1645.391	436.8723	416.7314	575.7667
Section 1 $F_z$	-0.47088	0.249875	436.8723	-3.05458	-7.45149
Section 2 $F_x$	-7414.04	-8498.62	-2382.47	-2297.38	-3115.83
Section 2 $F_y$	1439.288	1651.915	444.0151	423.9587	582.4661
Section 2 $F_z$	2.222123	2.005446	444.0151	3.3193	7.713439
Section 3 $F_x$	-7375	-8458.57	-2344.89	-2258.96	-3077.52
Section 3 $F_y$	-1432.93	-1645.79	-436.749	-416.659	-575.815
Section 3 $F_z$	-1.48953	-0.75518	-436.749	-3.73833	-7.96631
Section 4 $F_x$	-7415.2	-8500.02	-2382.9	-2297.8	-3116.01
Section 4 $F_y$	-1441.16	-1654.05	-444.725	-424.701	-583.916
Section 4 $F_z$	1.914087	1.318587	-444.725	3.487784	7.683155

All Forces in Newton

# Booster Plates

# Geometry



# Forces on Shield With Booster Plates

	200 MeV Flip	240 MeV Flip	200 MeV Sol	240 MeV Sol	Case 5 Sol
Shield Fx	-27350.8	-31519.9	-7216.35	-6758.16	-10119.4
Shield Fy	1.03	1.13	1.1	1.102	1.71
Shield Fz	3.65	4.88	0.03	0.05	0.09
Booster 1 Fx	-644.828	-692.865	-572.841	-601.863	-573.215
Booster 1 Fy	-131.394	-141.146	-116.868	-122.775	-116.934
Booster 1 Fz	-2.49171	-2.81056	-2.09054	-2.28388	-2.20423
Booster 2 Fx	-642.389	-692.865	-570.59	-599.579	-570.873
Booster 2 Fy	-130.611	-141.146	-116.17	-122.044	-116.205
Booster 2 Fz	1.618385	-2.81056	1.266324	1.442616	1.380912
Booster 3 Fx	-645.153	-692.865	-573.089	-602.146	-573.469
Booster 3 Fy	131.4219	-141.146	116.8891	122.8007	116.9572
Booster 3 Fz	-2.40006	-2.81056	-2.03418	-2.21465	-2.14661
Booster 4 Fx	-642.122	-692.865	-570.377	-599.335	-570.636
Booster 4 Fy	130.958	-141.146	116.4476	122.3576	116.4945
Booster 5 Fz	1.697082	-2.81056	1.33307	1.518346	1.458632

# Comparison Sums

## No Booster Plates

	200 MeV Flip	240 MeV Flip	200 MeV Sol	240 MeV Sol	Case 5 Sol
Fx	-29580.6	-33917.6	-9455.05	-9113.06	-12386.88
Fy	-2.186	-2.534	-0.5866	-0.6699	-1.4982
Fz	2.1758	2.818728	-0.5866	0.014174	-0.021206

## Booster Plates

	200 MeV Flip	240 MeV Flip	200 MeV Sol	240 MeV Sol	Case 5 Sol
Fx	-29925.26609	-34291.38436	-9503.251273	-9161.08259	-12407.63104
Fy	1.404746766	-563.4542624	1.398601169	1.441031702	2.022168792
Fz	2.073699882	-6.362225624	-1.495318119	-1.487569578	-1.421299777