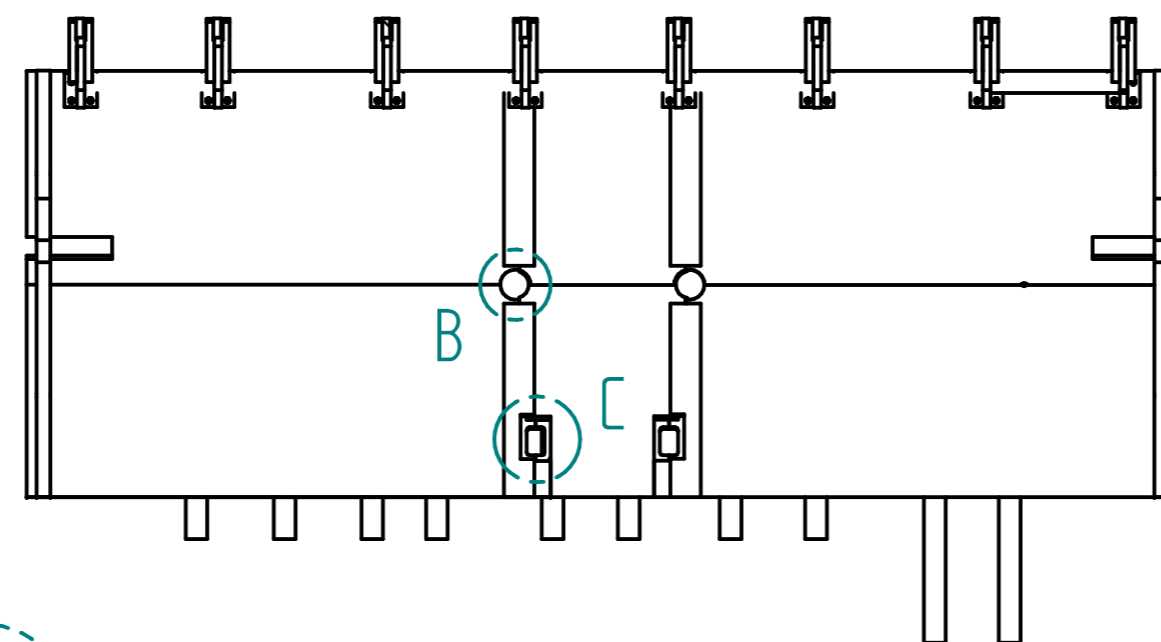
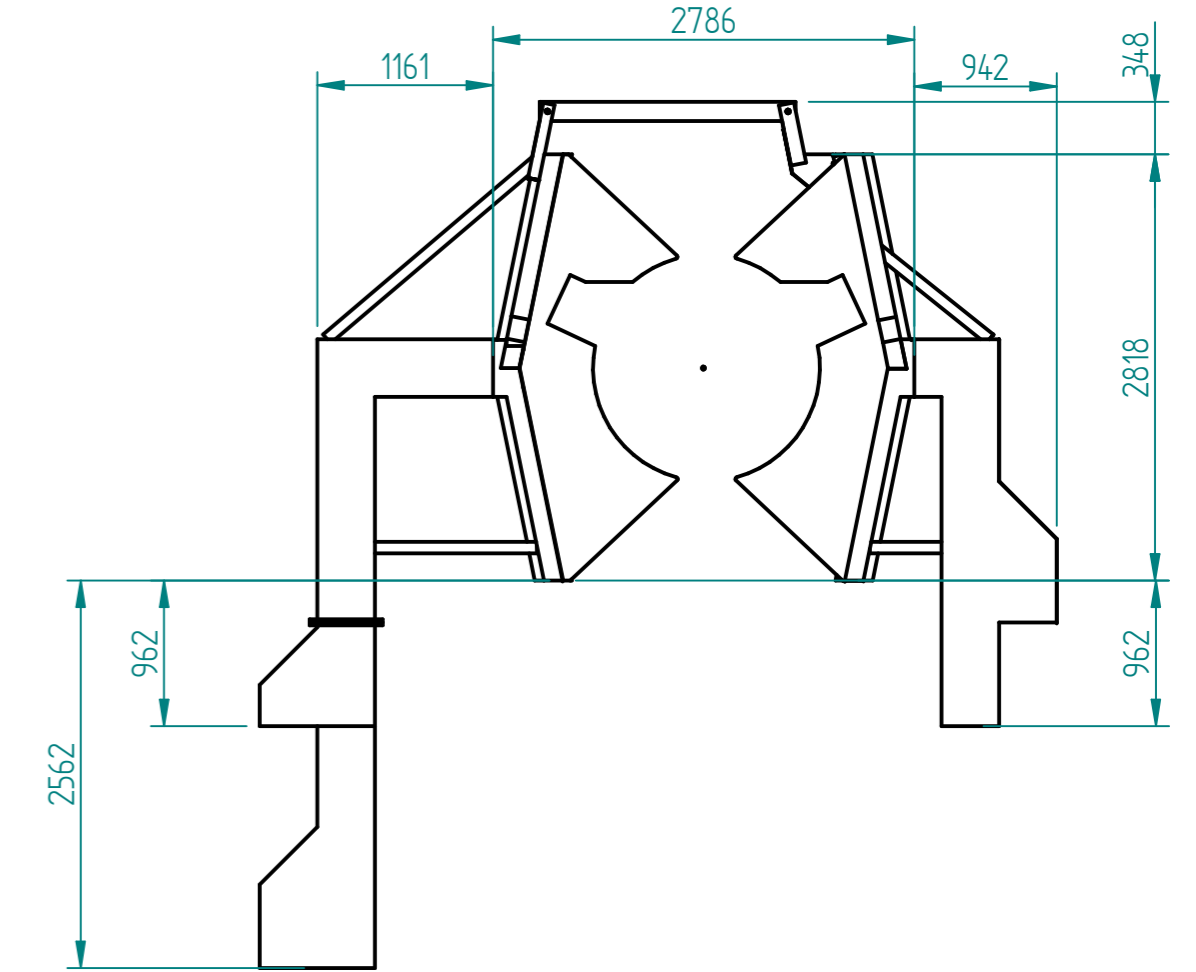
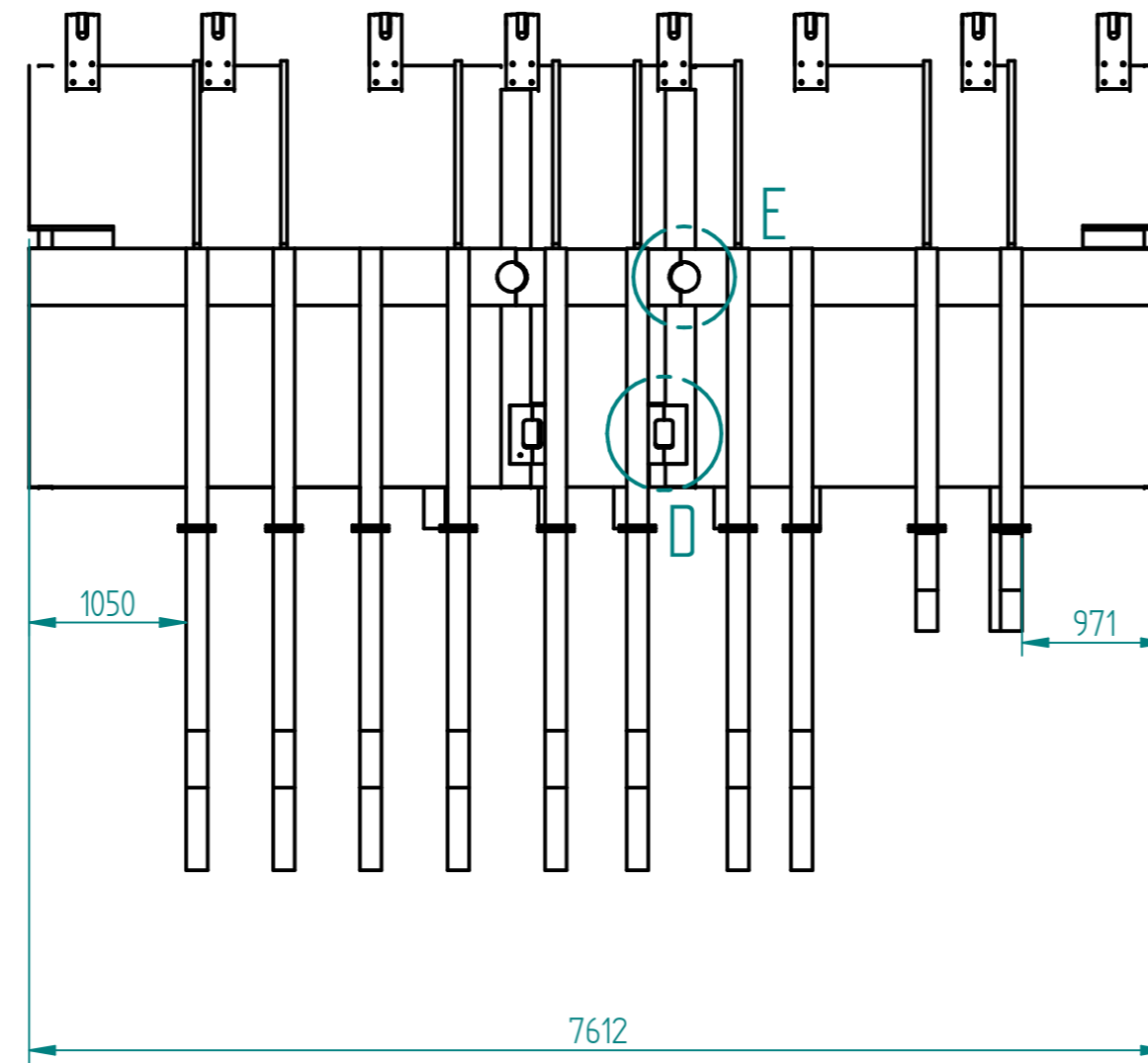
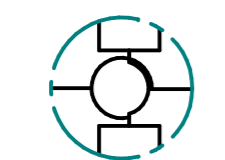


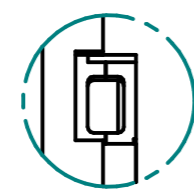
DETAIL D DETAIL E



SECTION A-A



DETAIL B



DETAIL C

FOR REVIEW ONLY
DRAFT - 20/09/13

NOTES

1/ ALL DIMENSION AS MODELLED TO NEAREST mm

A Error: No reference		Error: No reference		Error: No reference		MANUFACTURE ONLY WHEN STATUS IS RELEASED		Error: No reference	
ISSUE	DATE APPD	MOD. No.	DRAWN BY	CHKD BY	APPD BY	TOLERANCES UNLESS STATED LINEAR ± SEE NOTE 1 ANGULAR ±		SURFACE TEXTURE N/A μm	
DRAWING CONFORMS TO BS 8888 TOLERANCING ISO 8015			MATERIAL & SPEC.		MASS 0.000 kg		FINISH N/A REMOVE ALL BURRS		
DIMENSIONS IN mm UNLESS STATED									
PROJECTS & MECHANICAL ENGINEERING GROUP (RAL)				USED ON TD-1189-1697					
HARWELL SCIENCE & INNOVATION CAMPUS, RUTHERFORD APPLETON LABORATORY, CHILTON, OXON, OX11 0QX									
SIMPLE YOKE ASSEMBLY									
MICE INTEGRATION ENGINEERING									
MICE TDR126									
A2	TD-1189-1699				SHEET		1 of 1		A