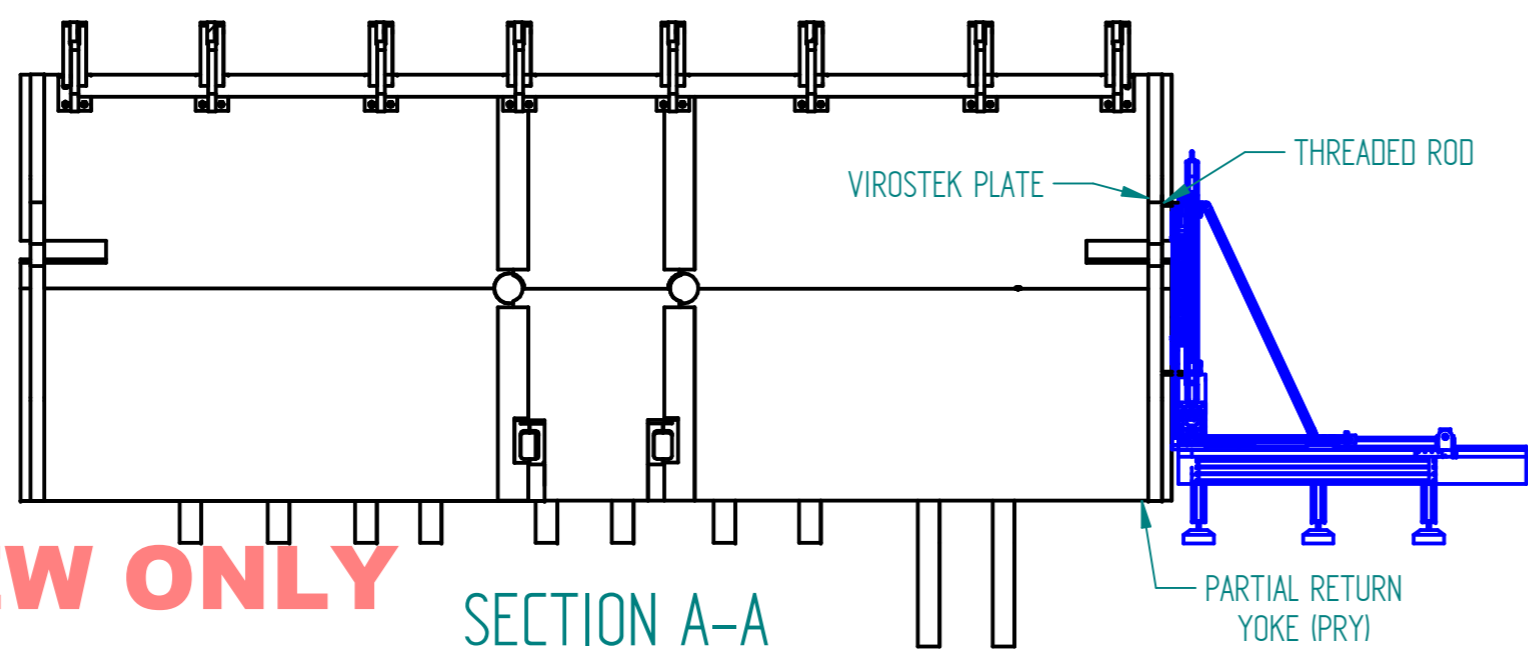
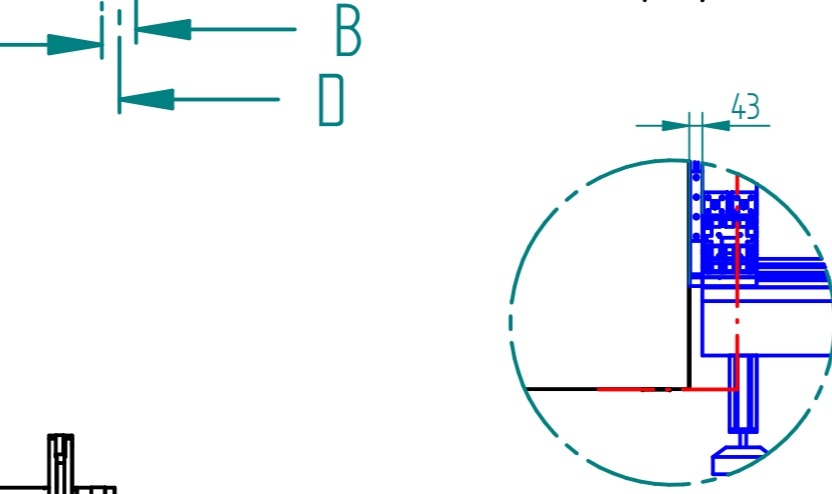
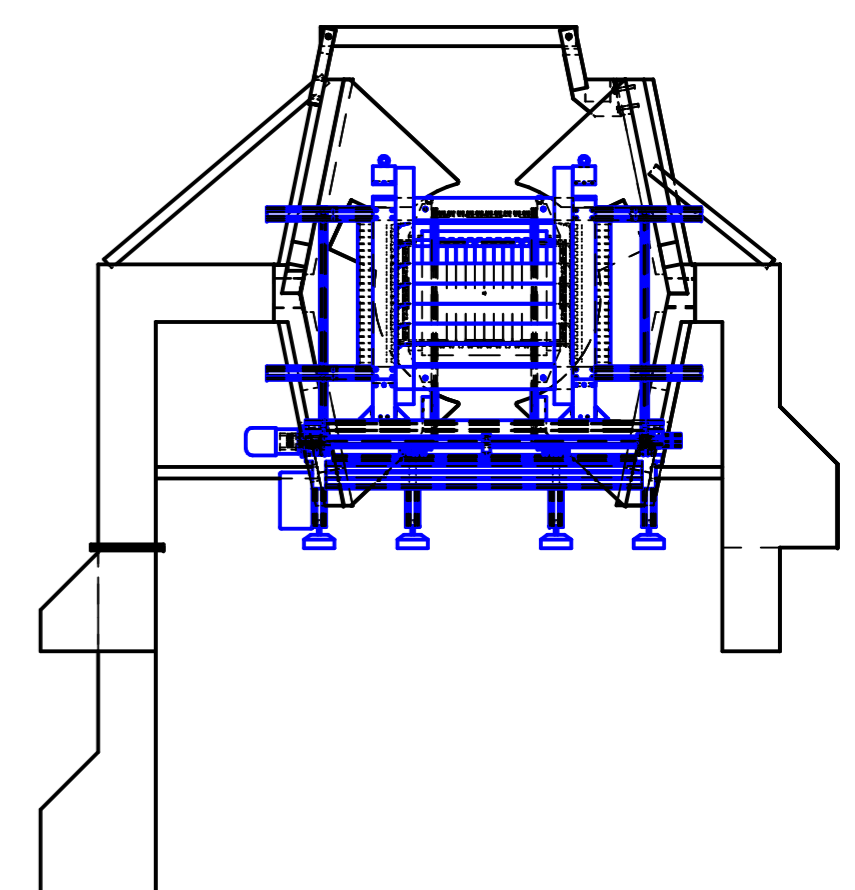
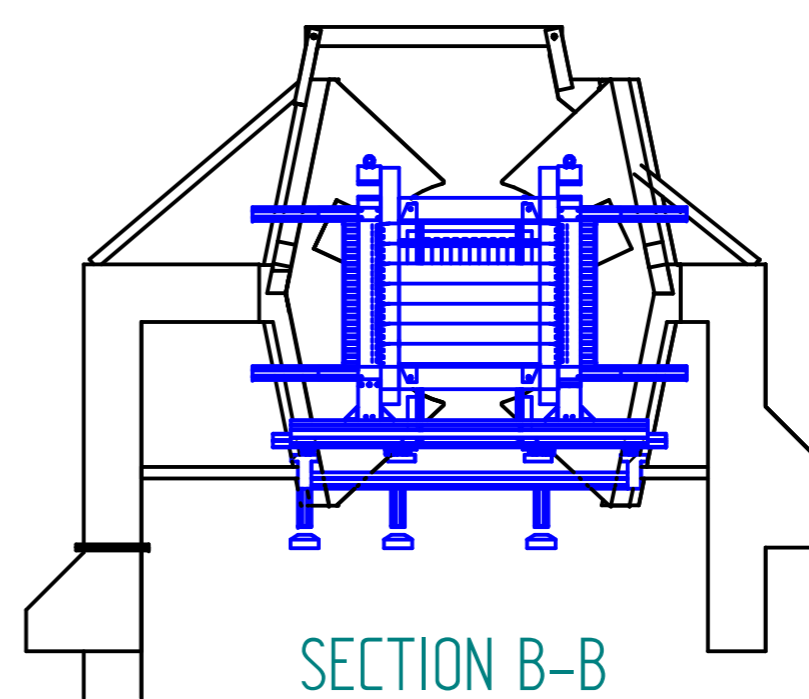
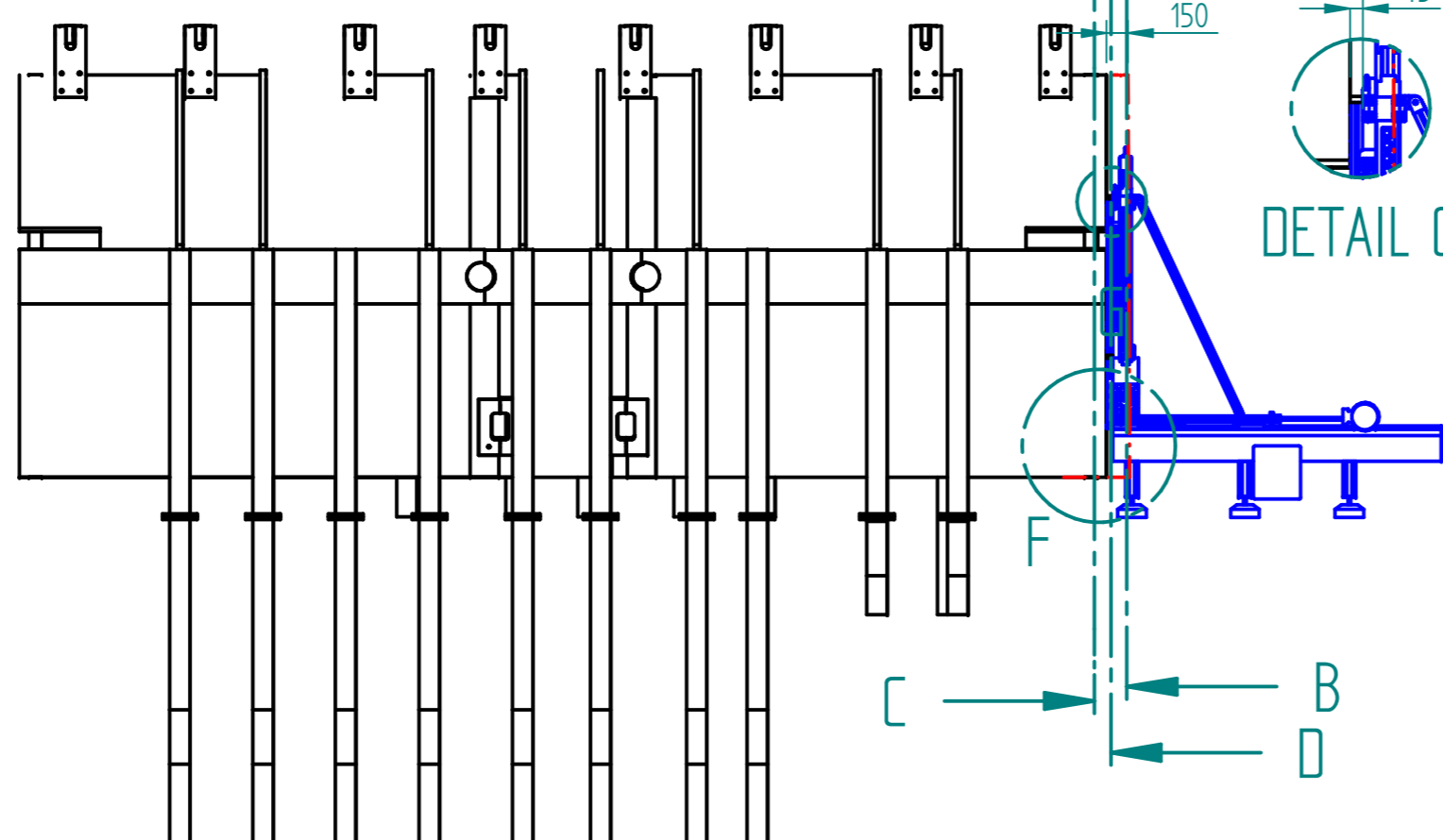
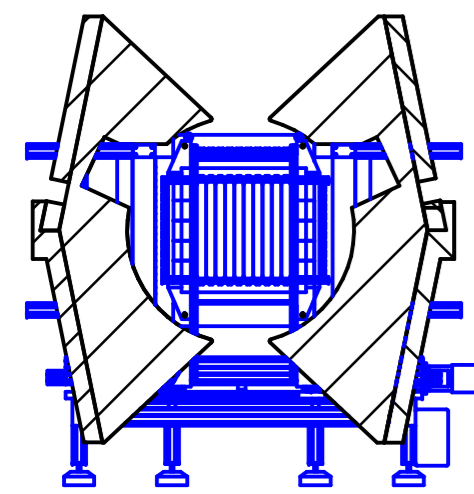
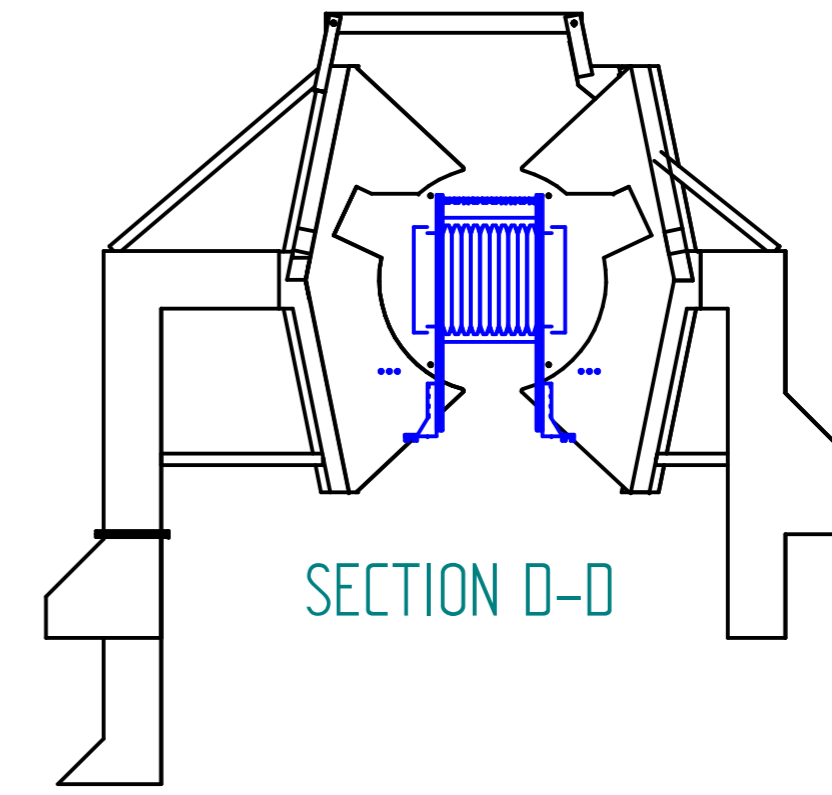
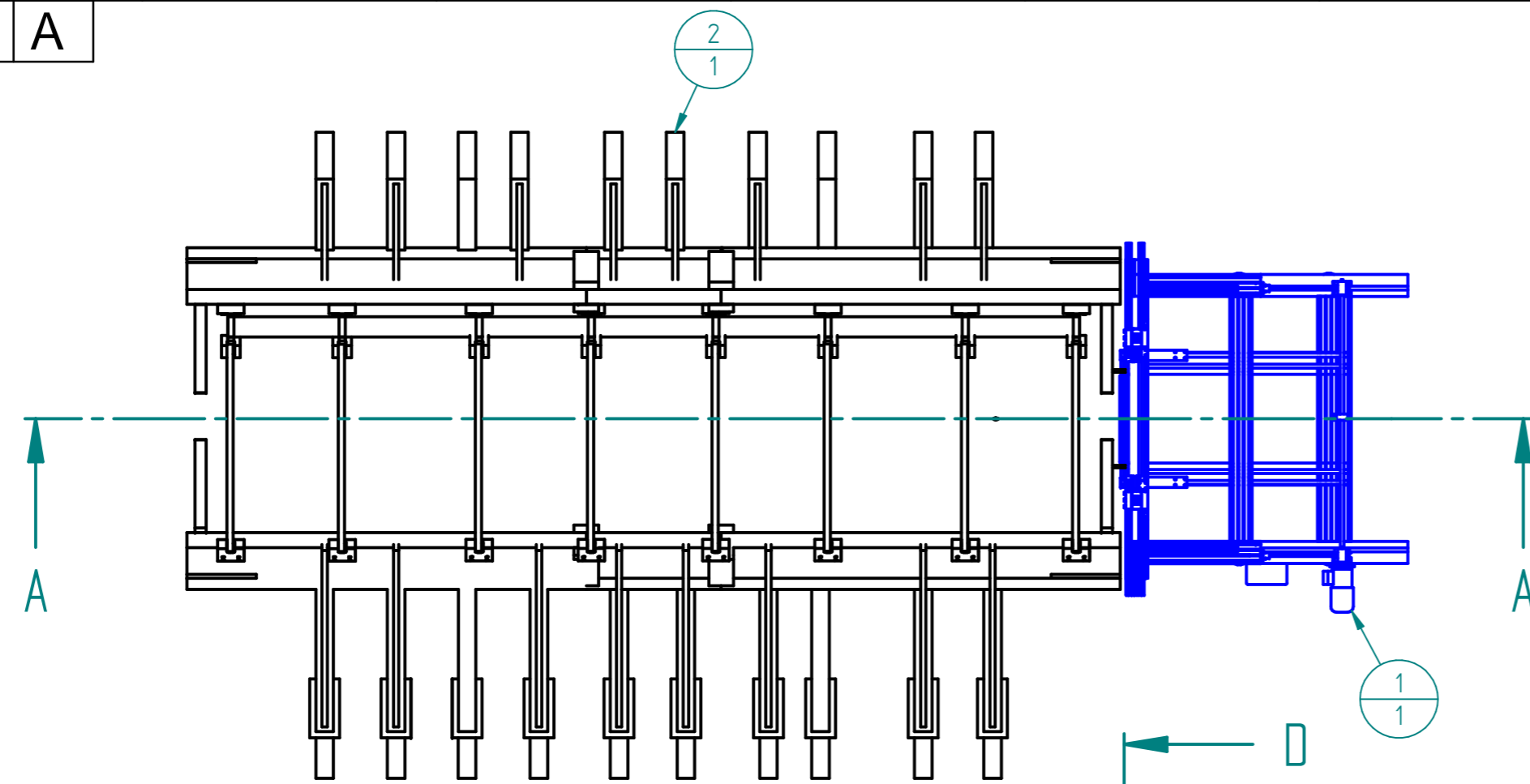


Item Number	Document Number	Title	Quantity
1	TD-1189-1687	KL ASSEMBLY (STEP IV CONFIG)	1
2	TD-1189-1699	SIMPLE YOKE ASSEMBLY	1



NOTES
1/ ALL DIMENSION AS MODELLED TO NEAREST mm

A Error: No reference		J S TARRANT Error: No reference		MANUFACTURE ONLY WHEN STATUS IS RELEASED Error: No reference		STATUS	
ISSUE	DATE APPD	MOD. No.	DRAWN BY	CHKD BY	APPD BY		
					TOLERANCES UNLESS STATED LINEAR ± SEE NOTE 1 ANGULAR ±		SURFACE TEXTURE N/A μm
DRAWING CONFORMS TO BS 8888 TOLERANCING ISO 8015			MATERIAL & SPEC.		MASS 0.000 kg		FINISH N/A REMOVE ALL BURRS
DIMENSIONS IN mm UNLESS STATED							
PROJECTS & MECHANICAL ENGINEERING GROUP (RAL)				USED ON MAGNETIC YOKE CHECKS			
HARWELL SCIENCE & INNOVATION CAMPUS, RUTHERFORD APPLETON LABORATORY, CHILTON, OXON, OX11 0QX							
KL - EMR WITH YOKE MICE INTEGRATION ENGINEERING							
MICE TDR126							
A2	TD-1189-1671					SHEET	1 of 1

FOR REVIEW ONLY
DRAFT - 19/09/13