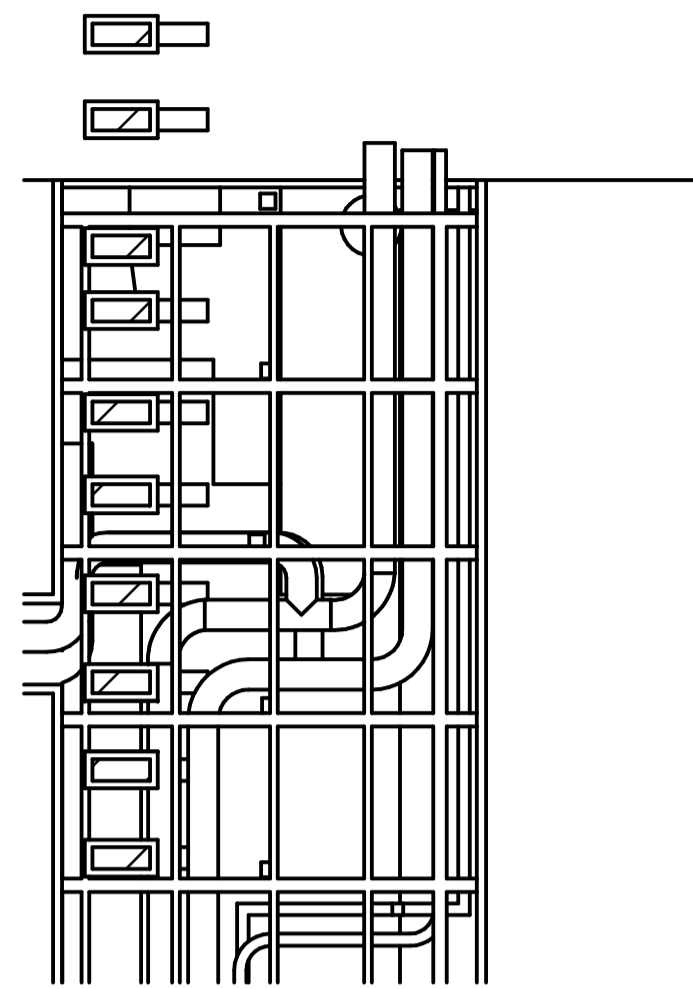
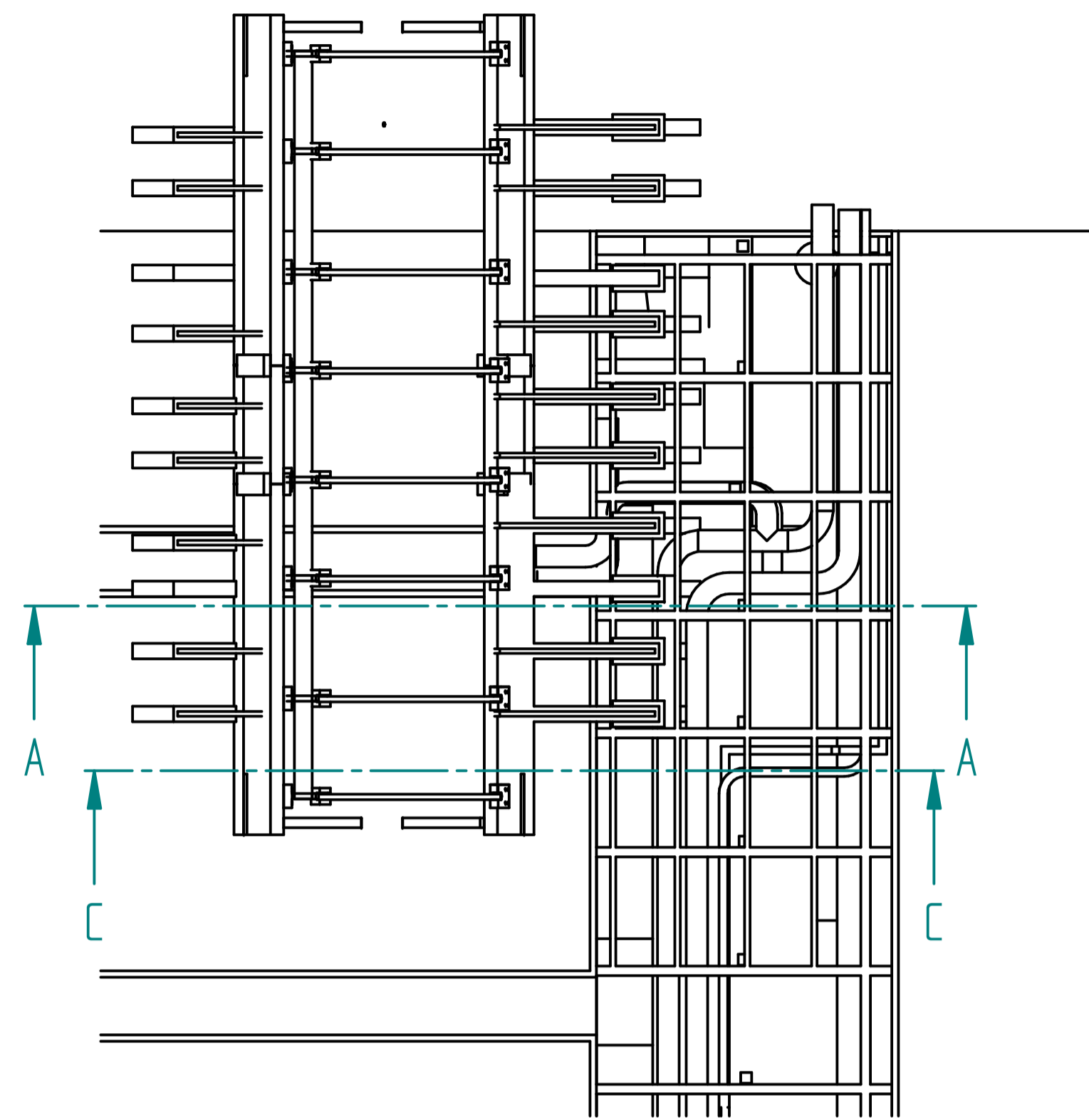
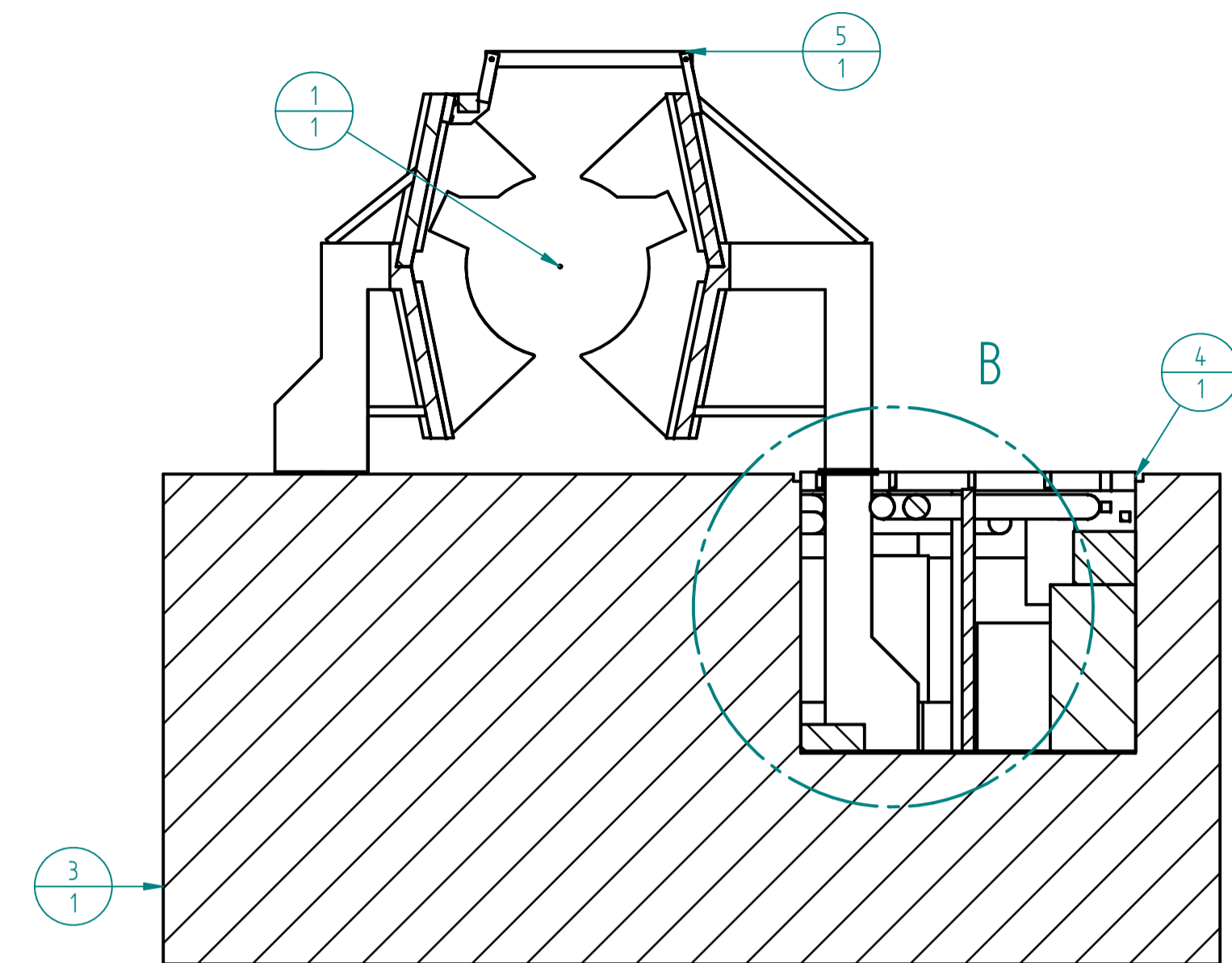


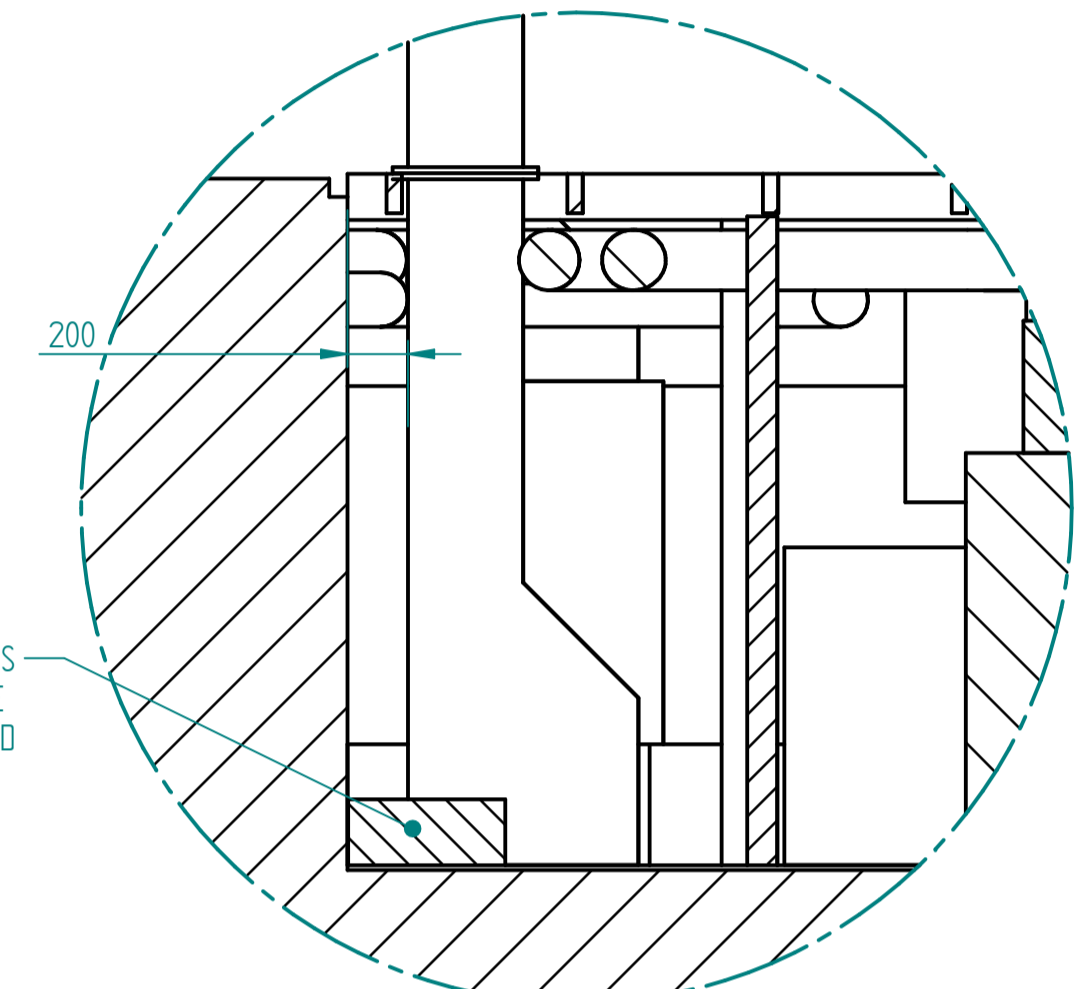
| Item Number | Document Number | Title                   | Quantity |
|-------------|-----------------|-------------------------|----------|
| 1           | TD-1152-9013    | MICE-ISIS COORD-SYSTEMS | 1        |
| 3           | TD-1189-1014    | FLOORING ASSEMBLY       | 1        |
| 4           | TD-1189-1081    | TRENCH FIXED SERVICES   | 1        |
| 5           | TD-1189-1699    | SIMPLE YOKE ASSEMBLY    | 1        |



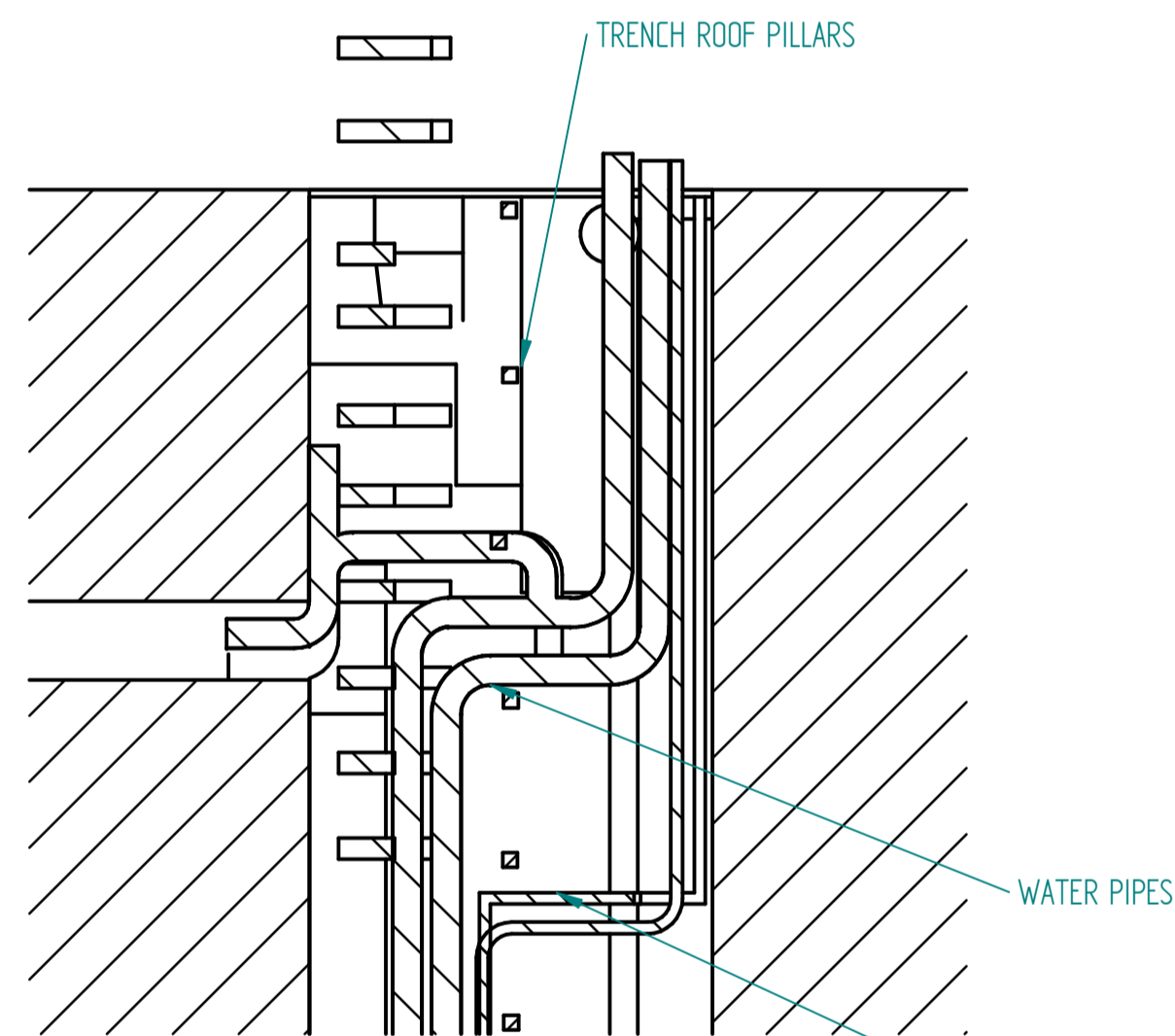
SECTION G-G



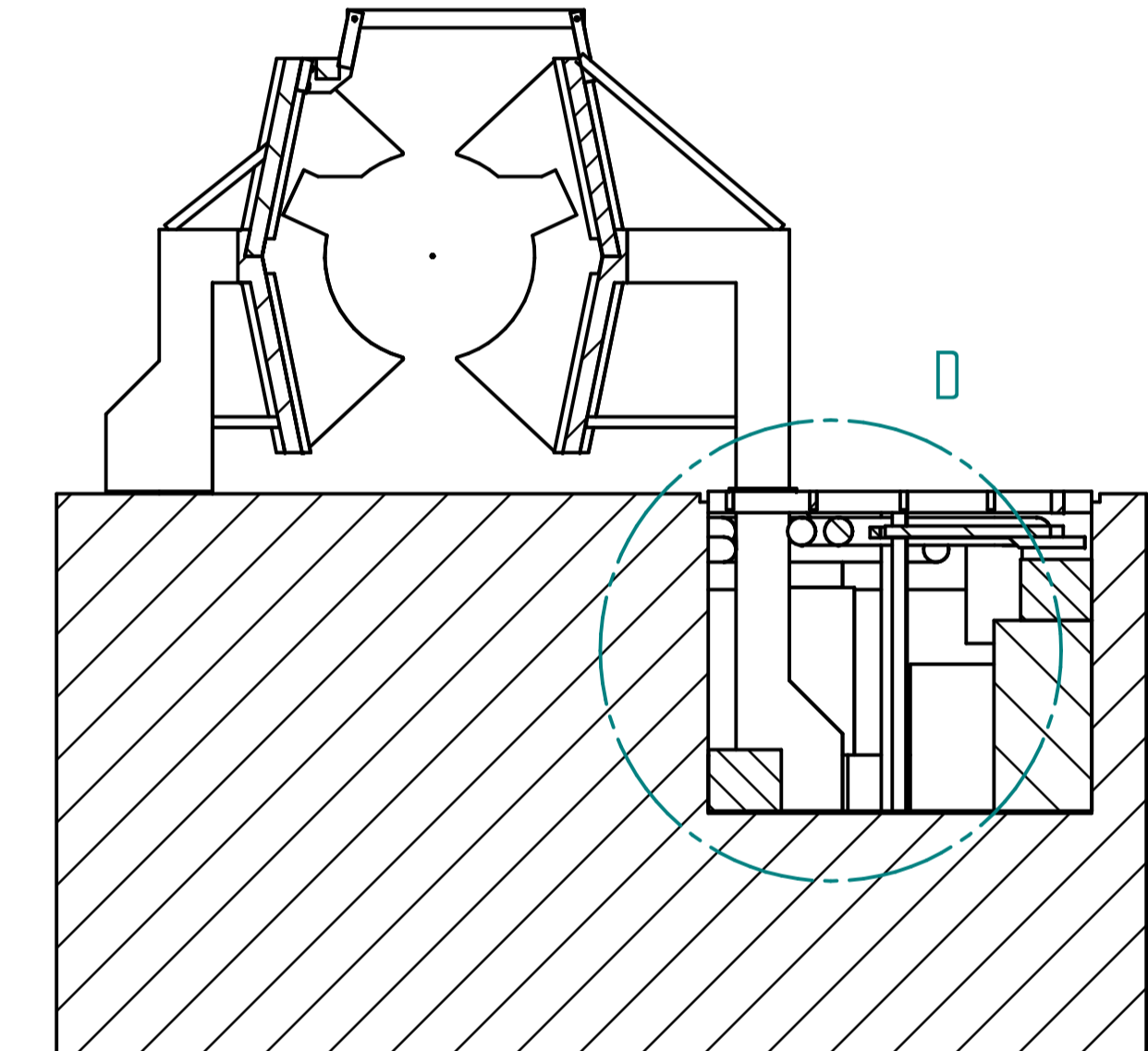
SECTION A-A



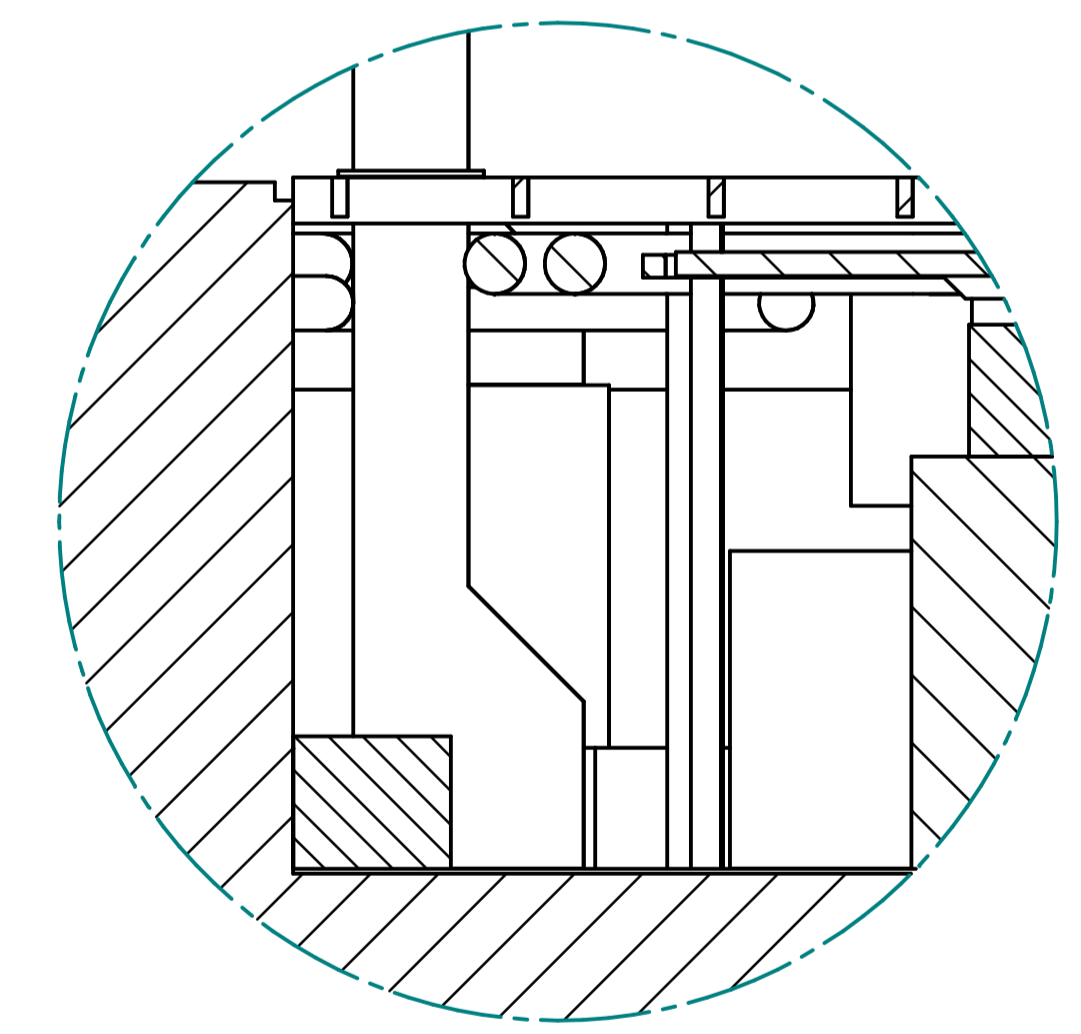
DETAIL B



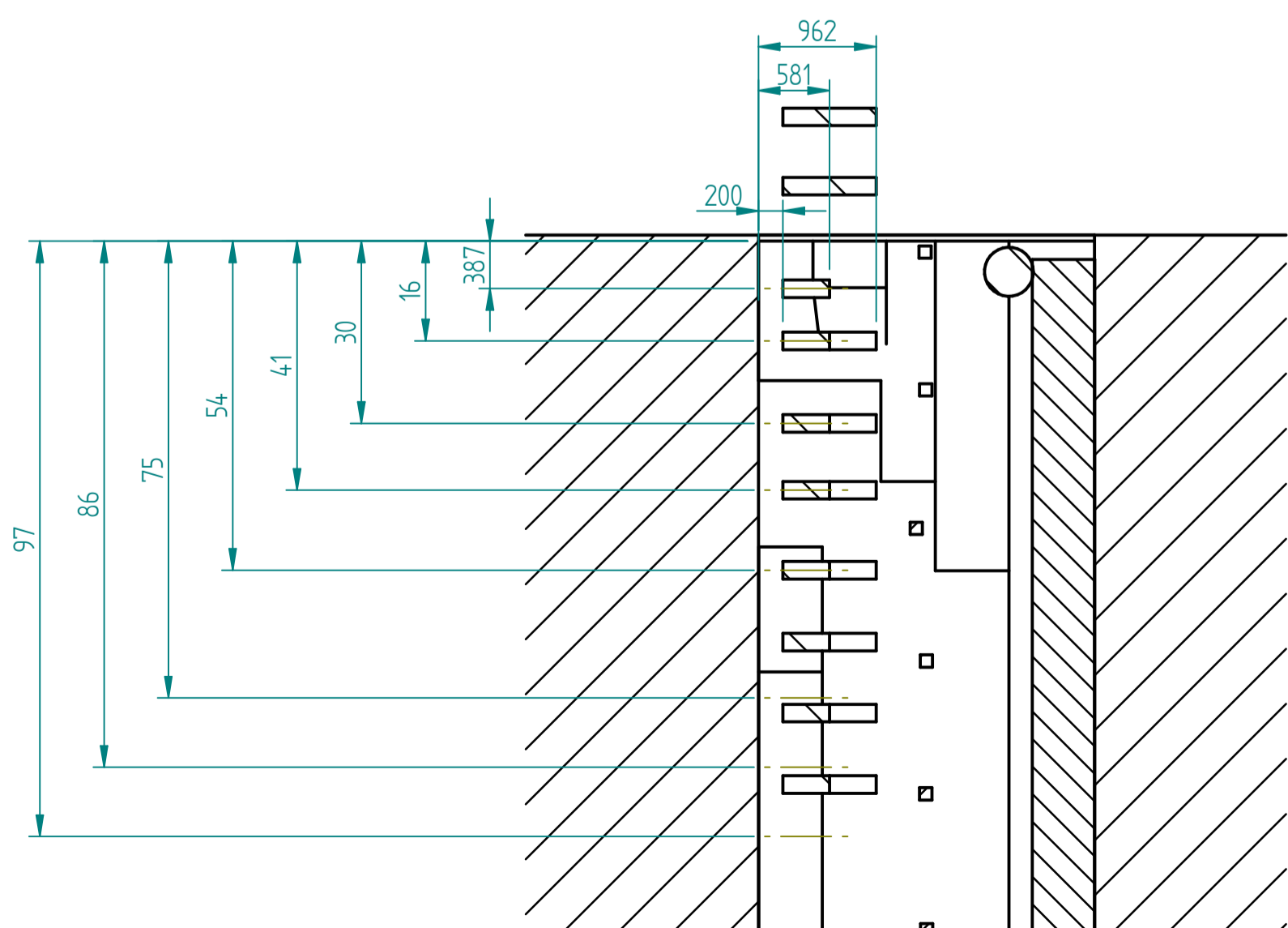
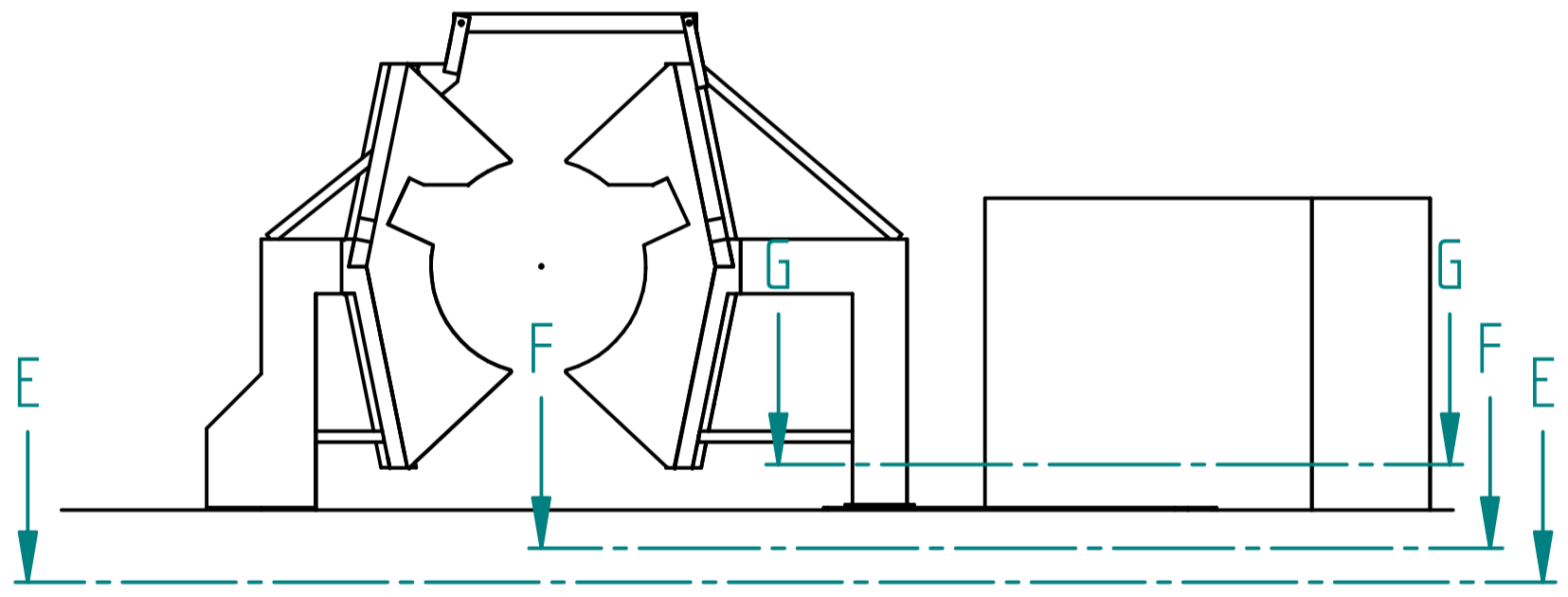
SECTION F-F



SECTION C-C



DETAIL D



SECTION E-E

**FOR REVIEW ONLY  
DRAFT - 19/09/13**

|                                                                                              |           |                                 |                              |                                                              |         |
|----------------------------------------------------------------------------------------------|-----------|---------------------------------|------------------------------|--------------------------------------------------------------|---------|
| A Error: No reference                                                                        |           | J S TARRANT Error: No reference |                              | MANUFACTURE ONLY WHEN STATUS IS RELEASED Error: No reference |         |
| ISSUE                                                                                        | DATE APPD | MOD. No.                        | DRAWN BY                     | CHKD BY                                                      | APPD BY |
| TOLERANCES UNLESS STATED                                                                     |           |                                 | SURFACE TEXTURE              |                                                              |         |
| LINEAR ± 50                                                                                  |           |                                 | N/A / μm                     |                                                              |         |
| ANGULAR ± 1                                                                                  |           |                                 | FINISH                       |                                                              |         |
| MATERIAL & SPEC. MASS 0.000 kg                                                               |           |                                 | N/A                          |                                                              |         |
| DIMENSIONS IN mm UNLESS STATED                                                               |           |                                 | REMOVE ALL BURRS             |                                                              |         |
| PROJECTS & MECHANICAL ENGINEERING GROUP (RAL)                                                |           |                                 | USED ON MAGNETIC YOKE CHECKS |                                                              |         |
| HARWELL SCIENCE & INNOVATION CAMPUS, RUTHERFORD APPLETON LABORATORY, CHILTON, OXON, OX11 0QX |           |                                 |                              |                                                              |         |
| <b>TRENCH SERVICES WITH YOKE (MOD)</b>                                                       |           |                                 |                              |                                                              |         |
| <b>MICE INTEGRATION ENGINEERING</b>                                                          |           |                                 |                              |                                                              |         |
| MICE TD-1189-1668                                                                            |           |                                 |                              |                                                              |         |
| A1 TD-1189-1668                                                                              |           |                                 | SHEET 1 of 1                 |                                                              | A       |