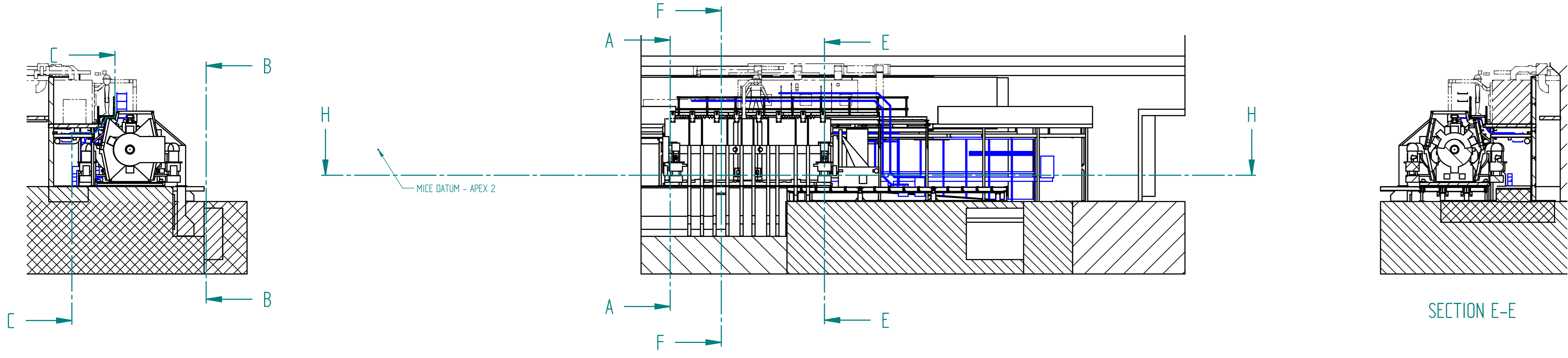
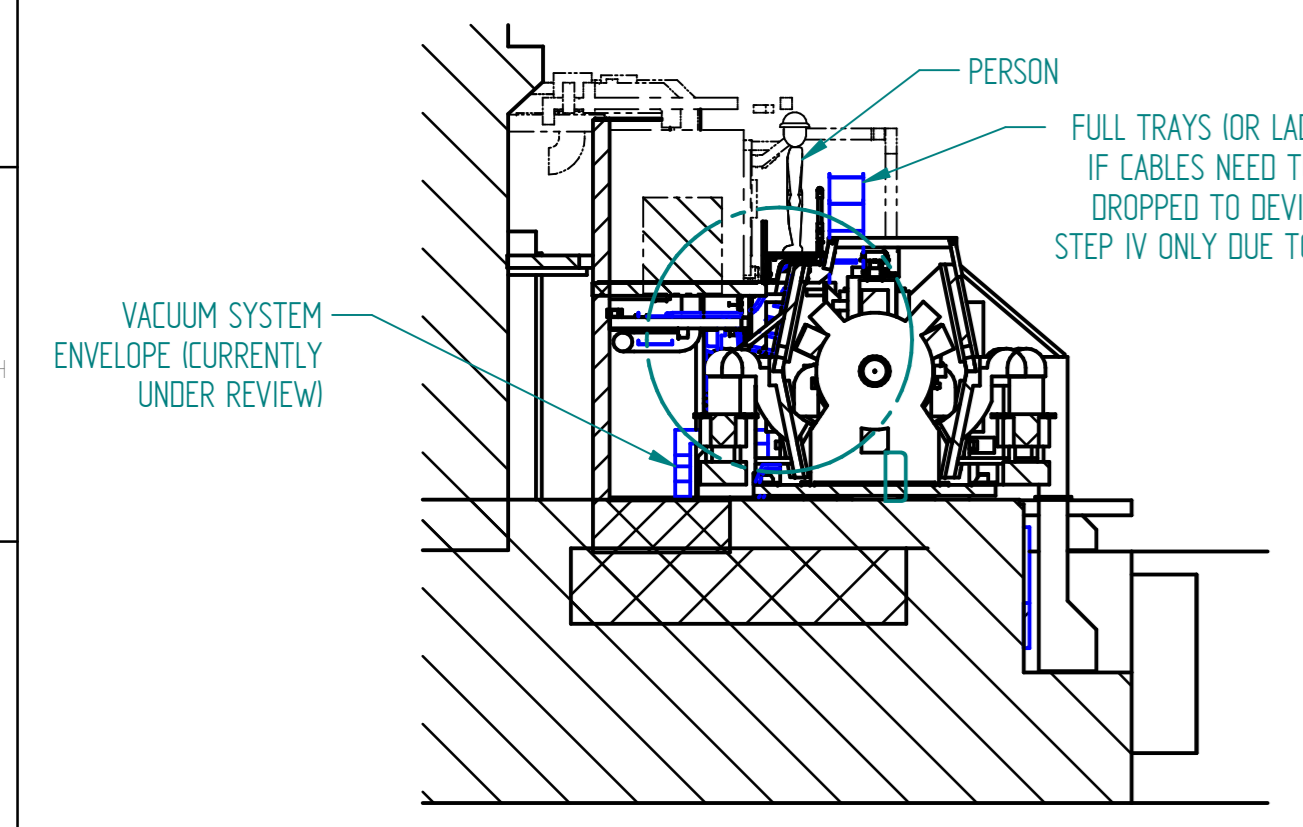


**FOR REVIEW ONLY
DRAFT - 19/09/13**

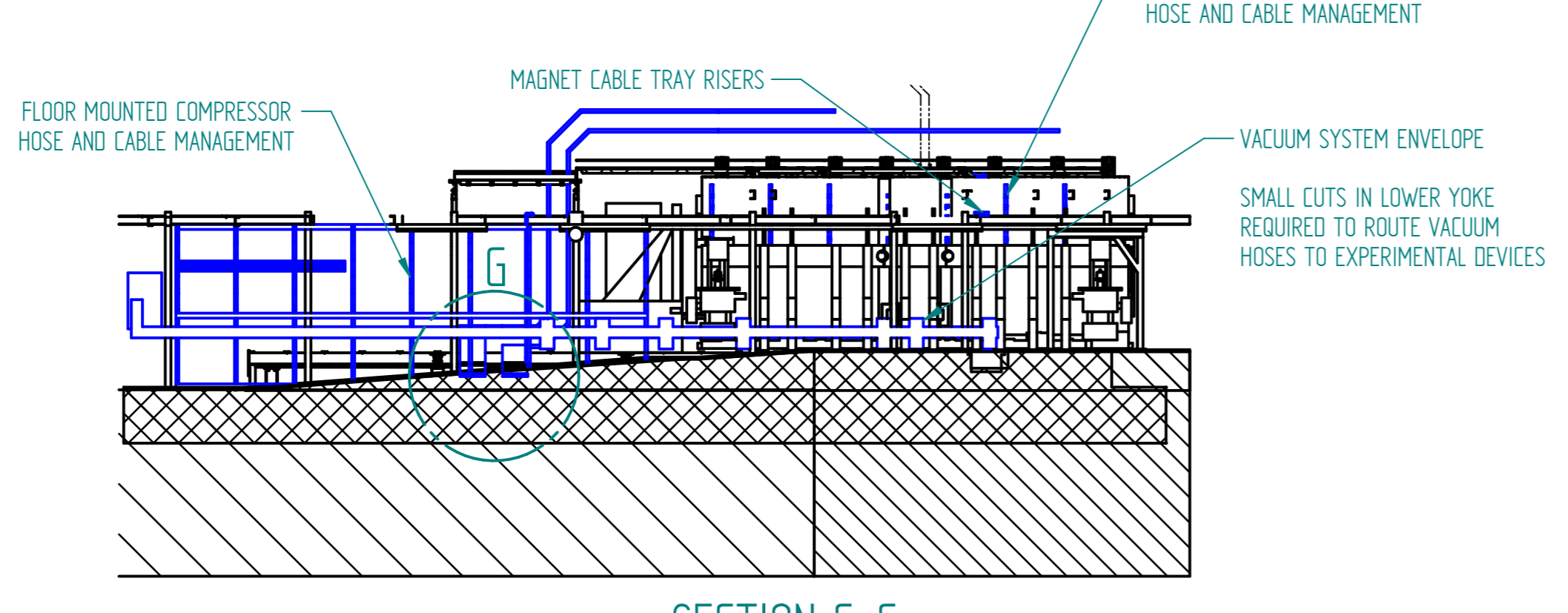
Item Number	Document Number	Title	Quantity
2	TD-1189-1450	ISIS CABLE MOVE ENV.	1
3	TD-1189-1014	FLOORING ASSEMBLY	1
4	TD-1152-9013	MICE-ISIS COORD-SYSTEMS	1
5	TD-1189-1016	SHIELD WALL ENV	1
8	TD-1189-1468	VAC SERVICES ENV (YOKE)	1
9	TD-1189-1654	COMPRESSOR HOSE TIDY (YOKE)	1
10	TD-1189-1462	TRACKER CRYO MOVE	1
11	TD-1189-1652	YOKE MOUNTED HOSE TIDY	1
12	TD-1085-1018	MODIFIED ASSY	1
13	TD-1189-1010	MICE HALL WALLS ENV	1
14	TD-1152-0002	FALSE FLOOR	1
15	TD-1189-1388	HYDROGEN FILL ASSY (2013+)	1
16	TD-1189-1656	MAGNET CABLE TRAY ASSY	1
17	TD-1189-4001	STEP IV C.CHANNEL ENVELOPE	1
18	TD-1189-1610	MICE HALL PERSON	1
19	TD-1189-1746	SOUTH MEZZ YOKE CHANGE	1
20	TD-1189-1699	SIMPLE YOKE ASSEMBLY	1



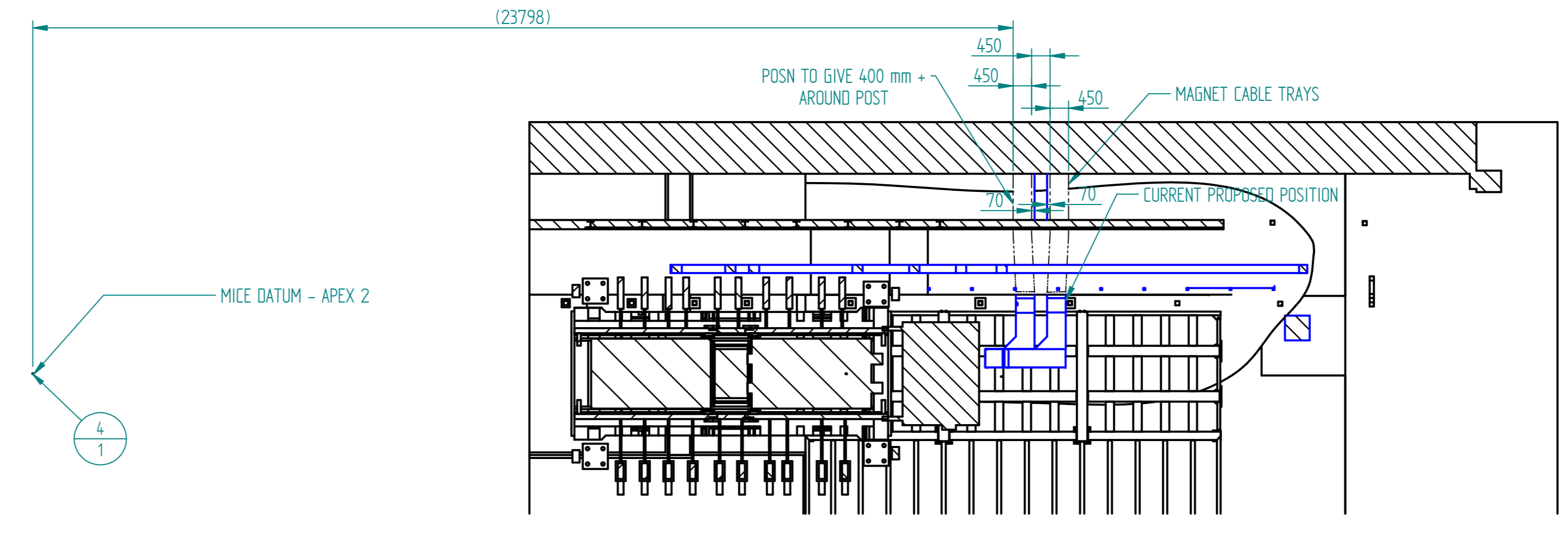
SECTION E-E



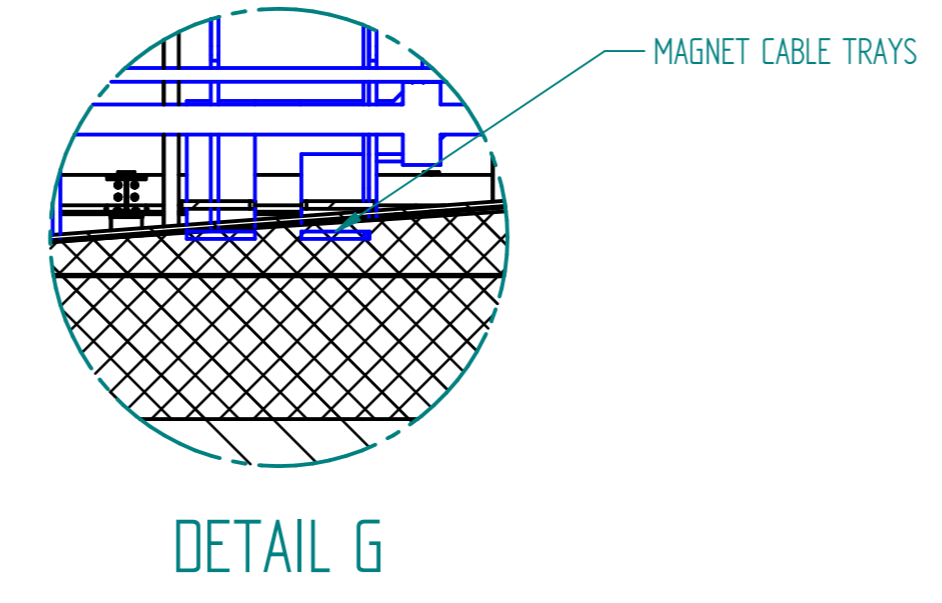
SECTION A-A



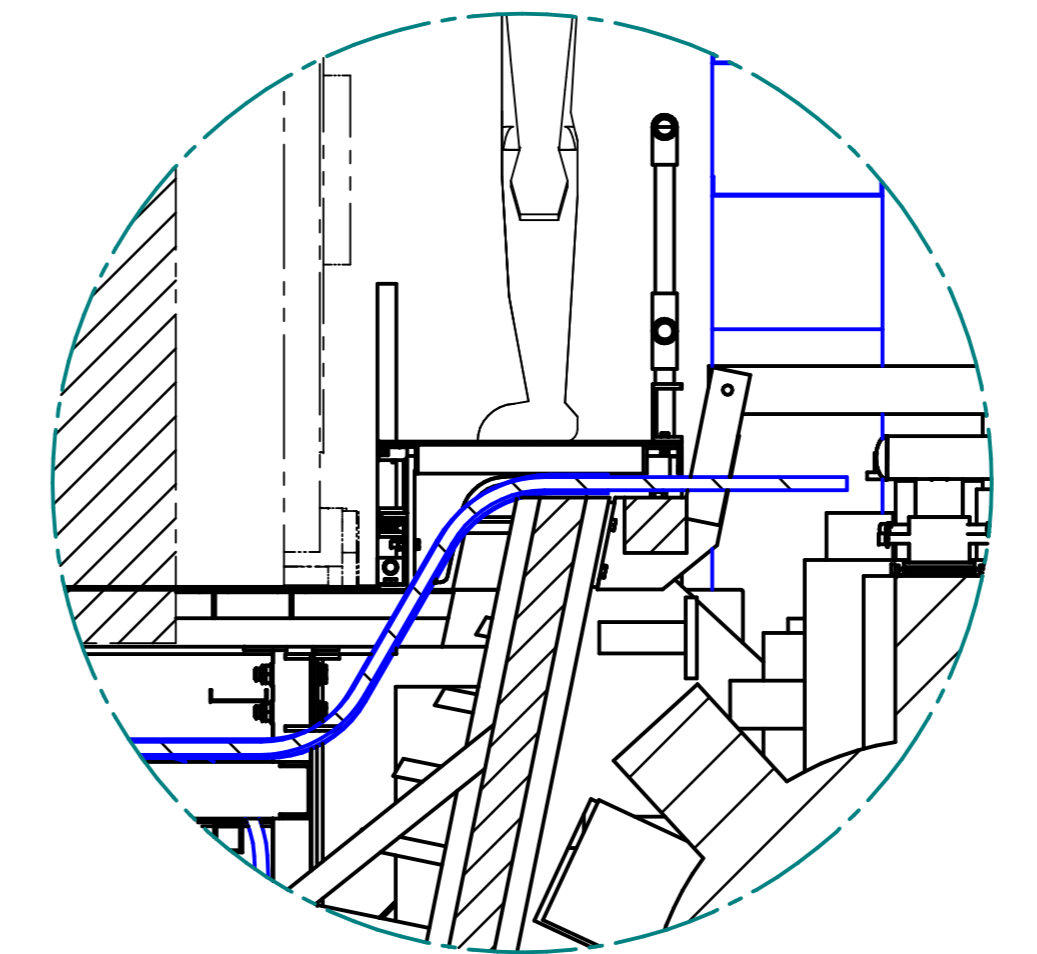
SECTION C-C



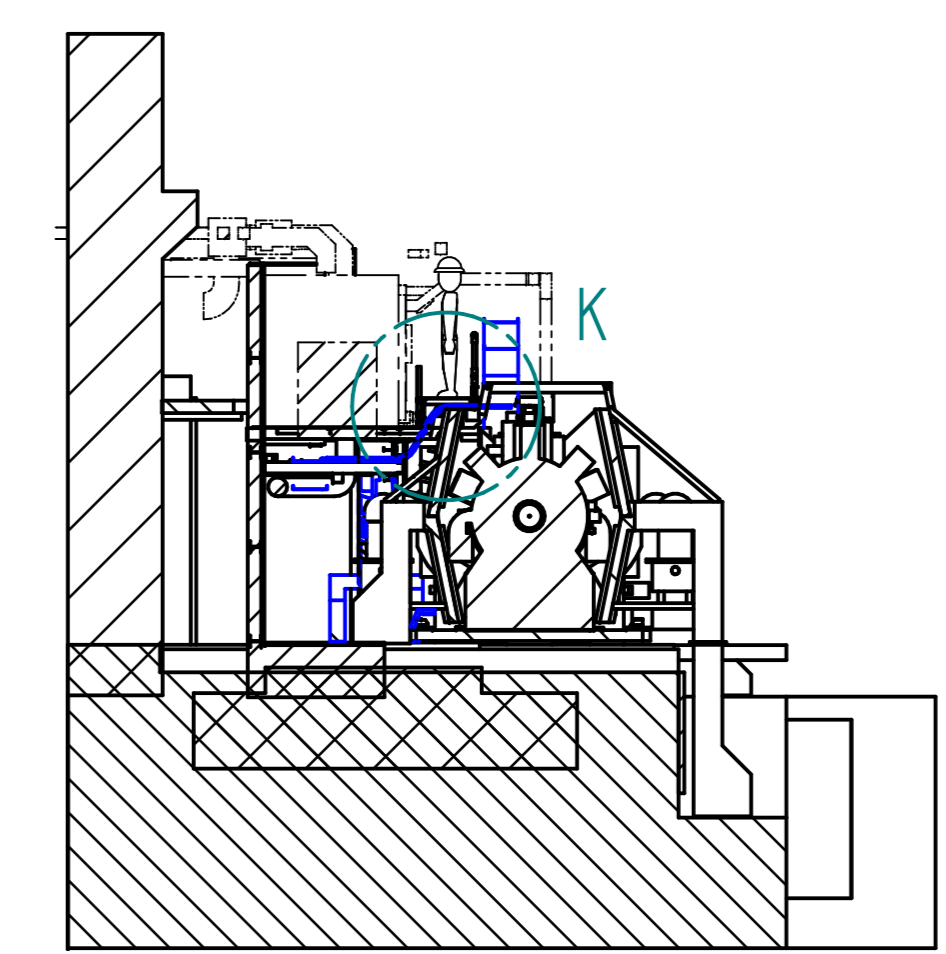
SECTION H-H



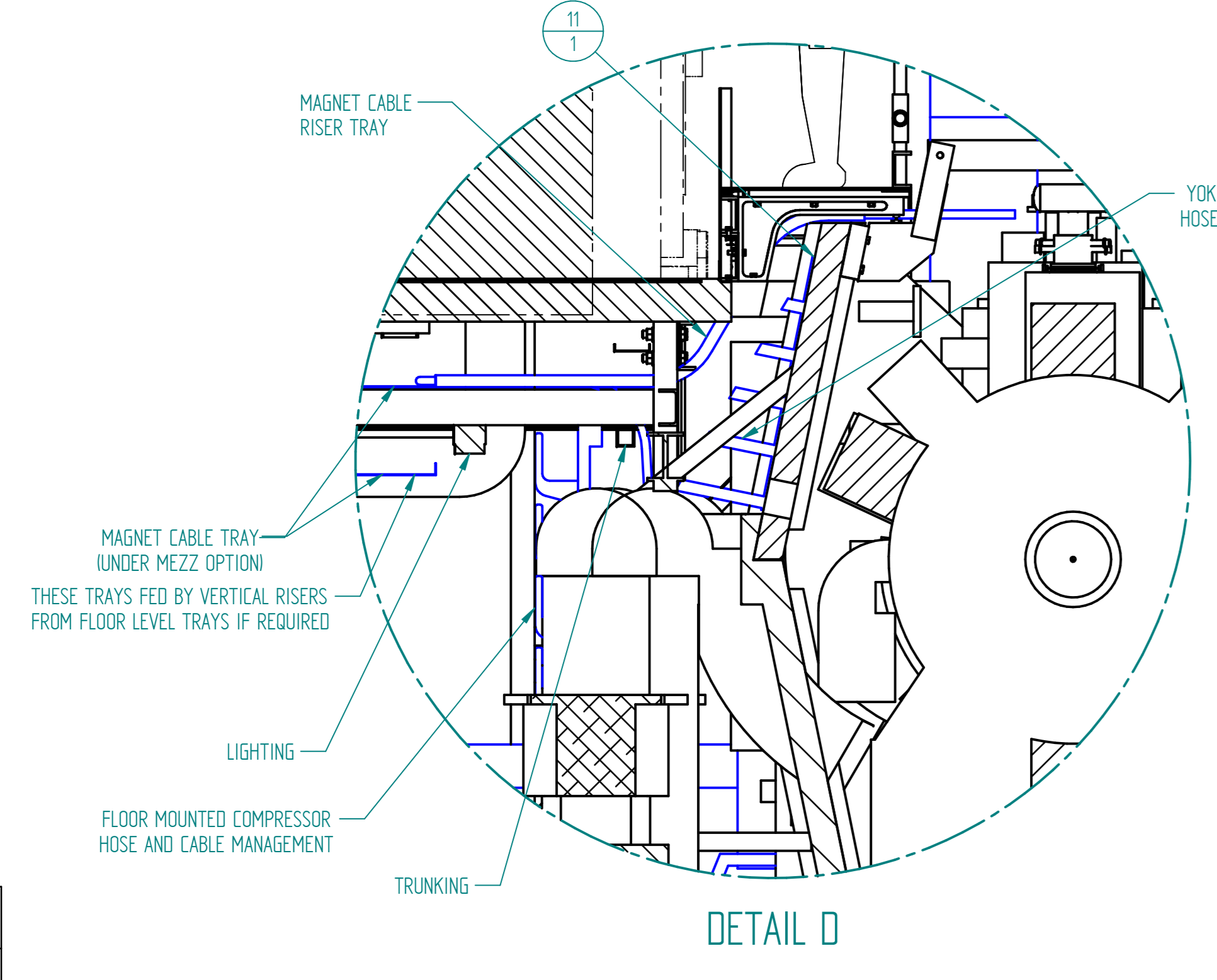
DETAIL G



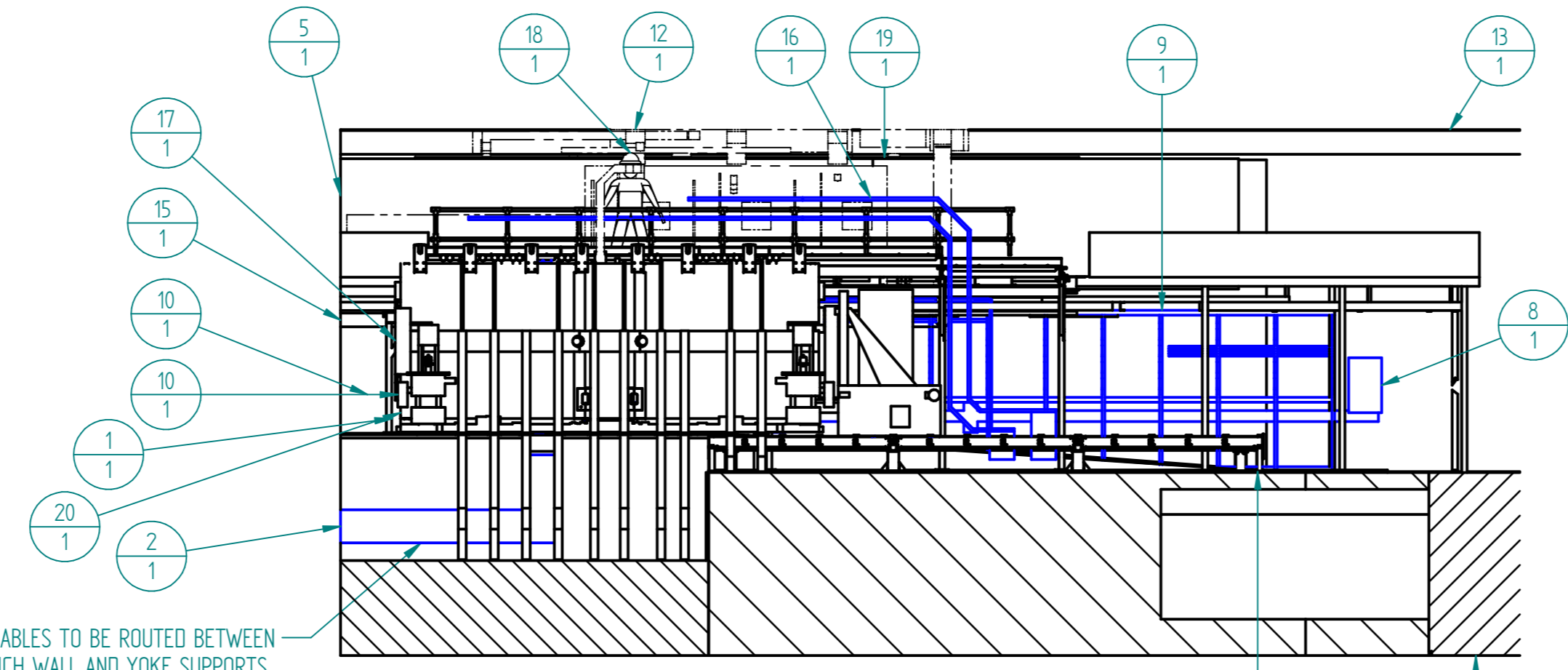
DETAIL K



SECTION F-F



DETAIL D



SECTION B-B

NOTES
1/ ALL DIMENSIONS AS MODELLED TO THE NEAREST mm

A Error: No reference to Mod No		J S TARRANT Error: No reference to Mod No		MANUFACTURE ONLY WHEN STATUS IS RELEASED		Error: No reference to Mod No	
ISSUE	DATE APPD	MOD. No.	DRAWN BY	CHKD BY	APPD BY	STATUS IS	STATUS
TOLERANCES UNLESS STATED			LINEAR ± SEE NITE 1			SURFACE TEXTURE	
DRAWING CONFORMS TO BS 8888			MATERIAL & SPEC. MASS 0.000 kg			FINISH N/A	
DIMENSIONS IN mm UNLESS STATED			PROJECTS & MECHANICAL ENGINEERING GROUP (RAL)			USED ON MAGNETIC YOKE CHECKS	
PROJECTS & MECHANICAL ENGINEERING GROUP (RAL)			HARWELL SCIENCE & INNOVATION CAMPUS, RUTHERFORD APPLETON LABORATORY, CHILTON, OXON, OX11 0QX			REMOVE ALL BURRS	
SERVICES WITH YOKE				MICE INTEGRATION ENGINEERING			
A0 TD-1189-1466		SHEET		1 of 1		A	