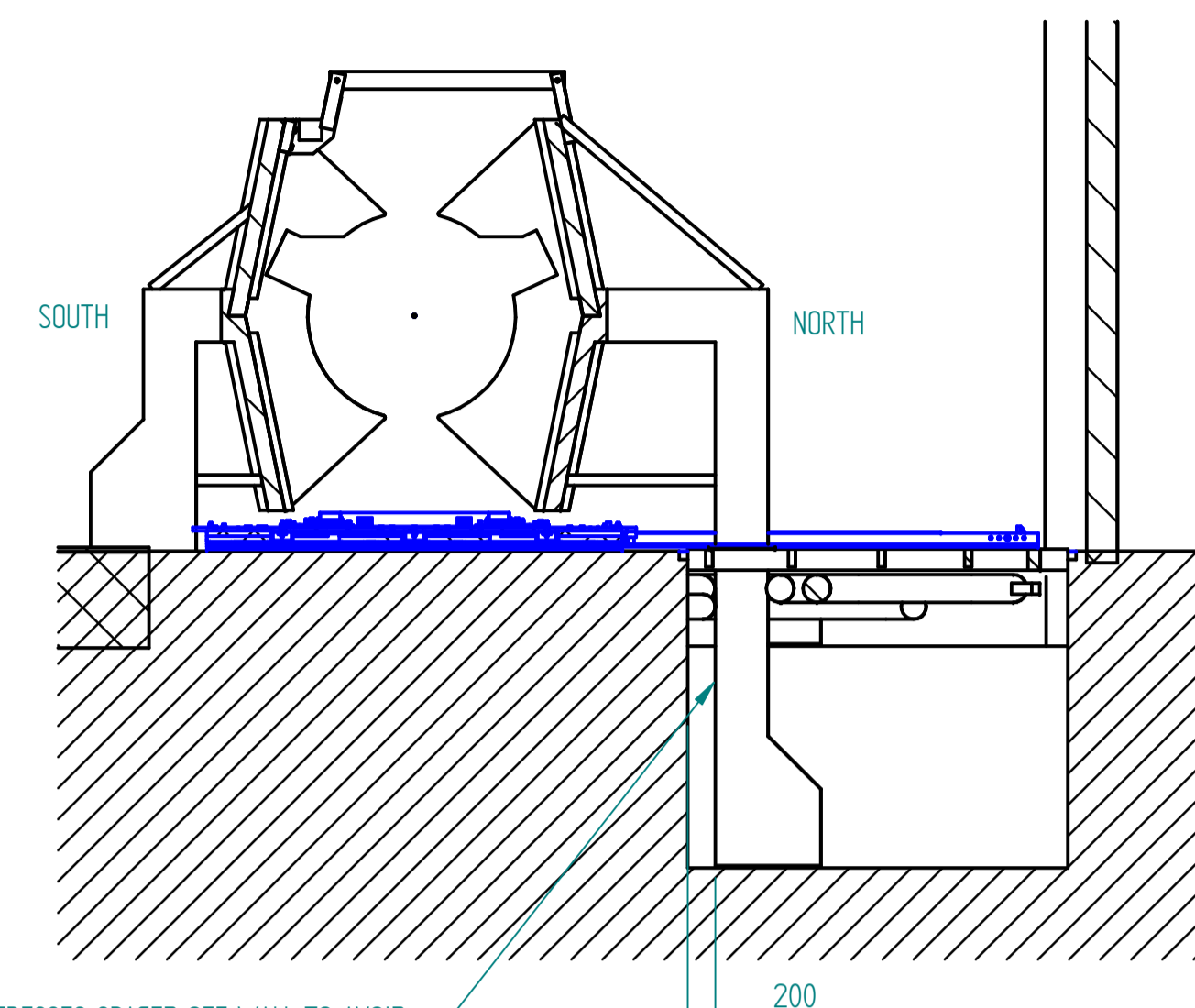
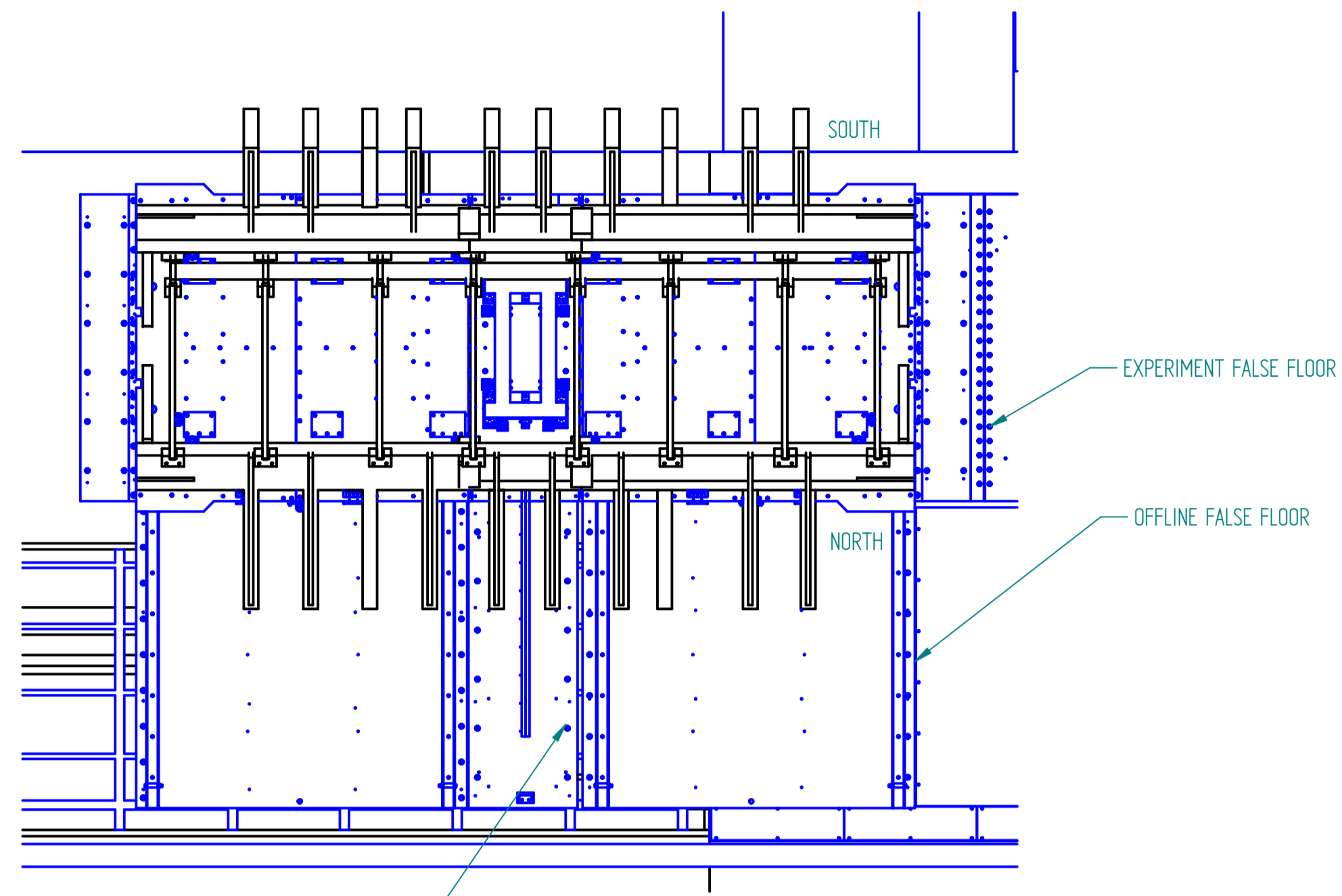
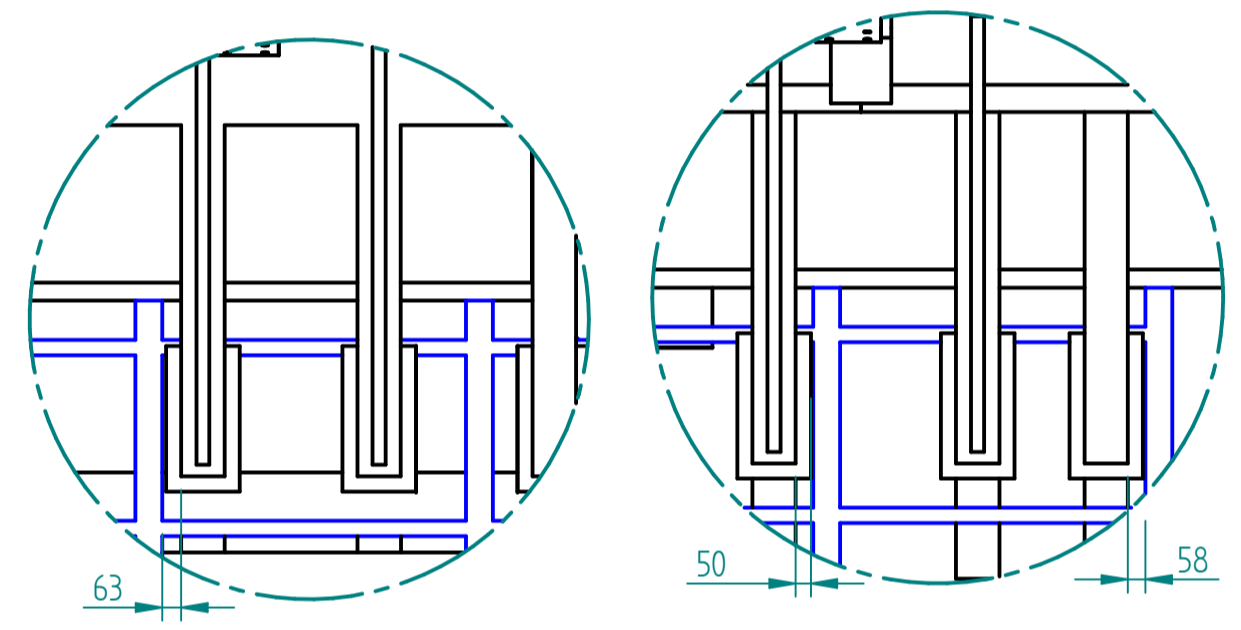
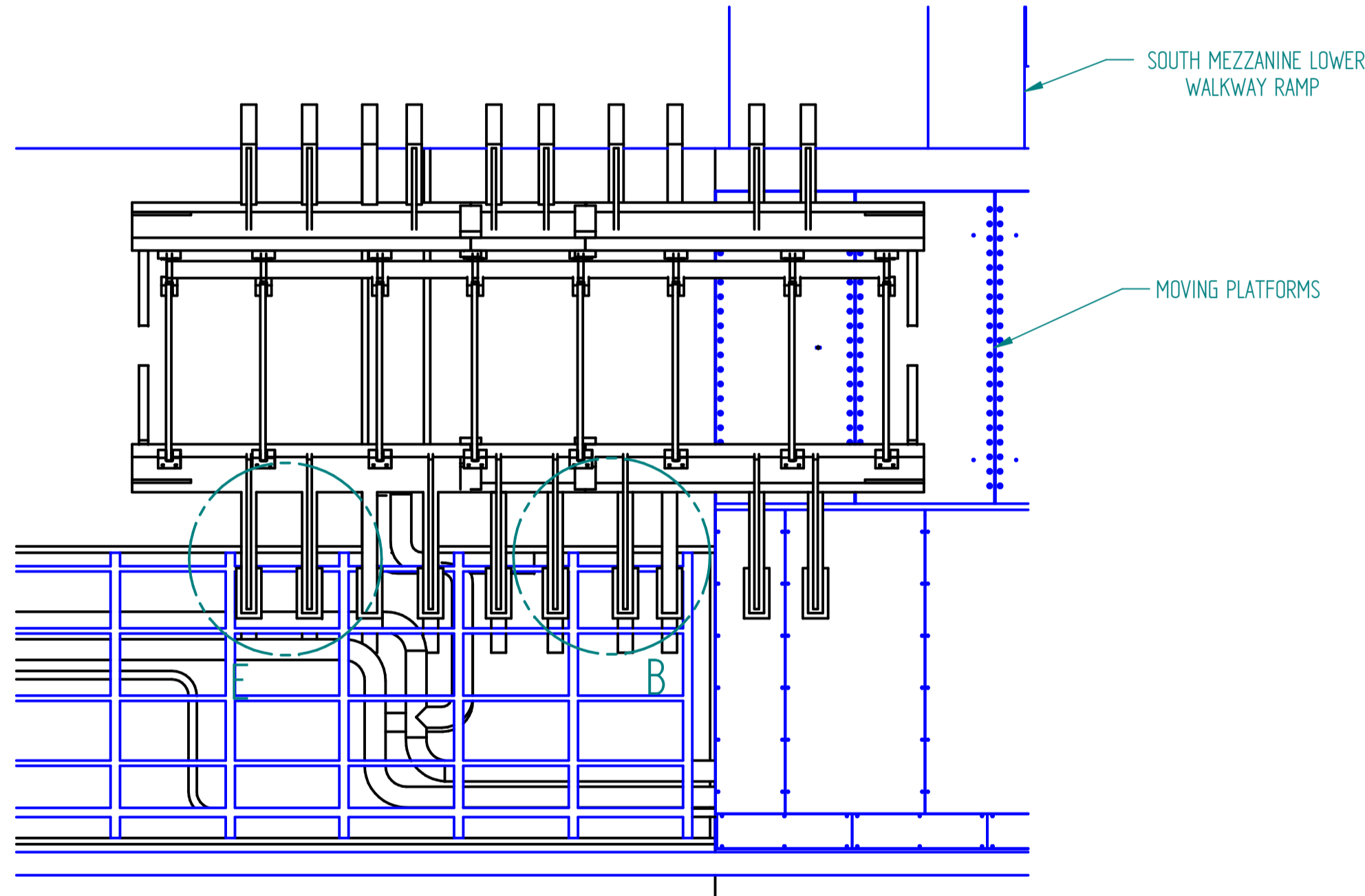


Item Number	Document Number	Title	Quantity
1	TD-1152-9013	MICE-ISIS COORD-SYSTEMS	1
2	TD-1189-1014	FLOORING ASSEMBLY	1
3	TD-1189-1016	SHIELD WALL ENV	1
4	TD-1189-1485	TRENCH ROOF ASSY	1
5	TD-1189-1699	SIMPLE YOKE ASSEMBLY	1
6	TD-1189-1739	STEP 4 FLOOR INTERFACES	1
7	TD-1189-1740	STEP IV MOVEABLE FLOORING ASSY	1



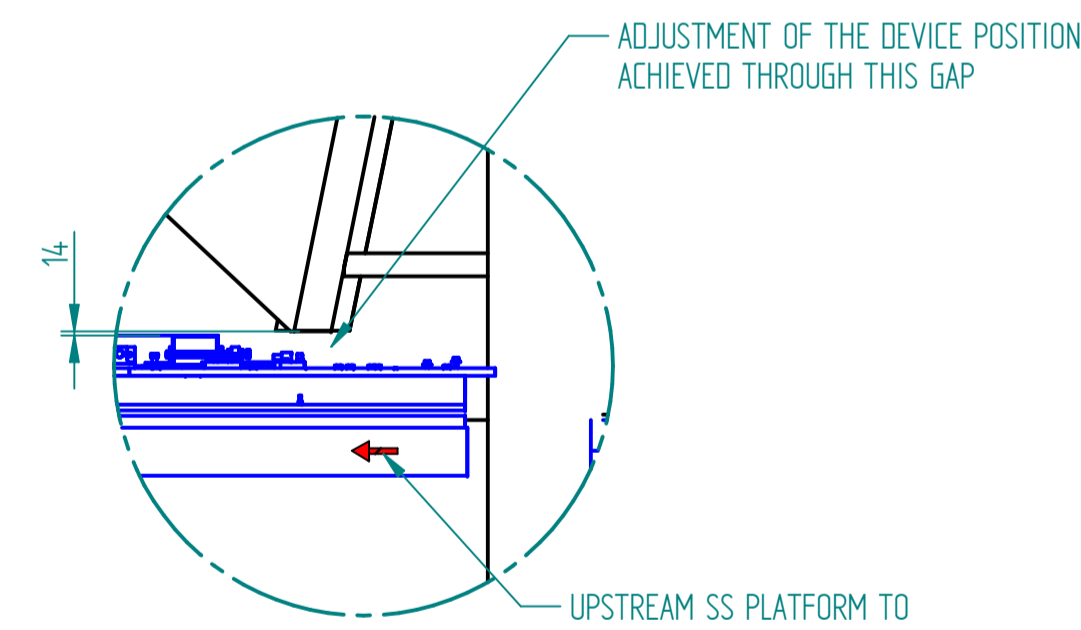
BUTRESSES SPACED OFF WALL TO AVOID WATER SERVICES AND ISIS CABLES, CABLES NEED TIDYING INTO LOW PROFILE / VERTICAL CABLE TRAYS

SECTION A-A

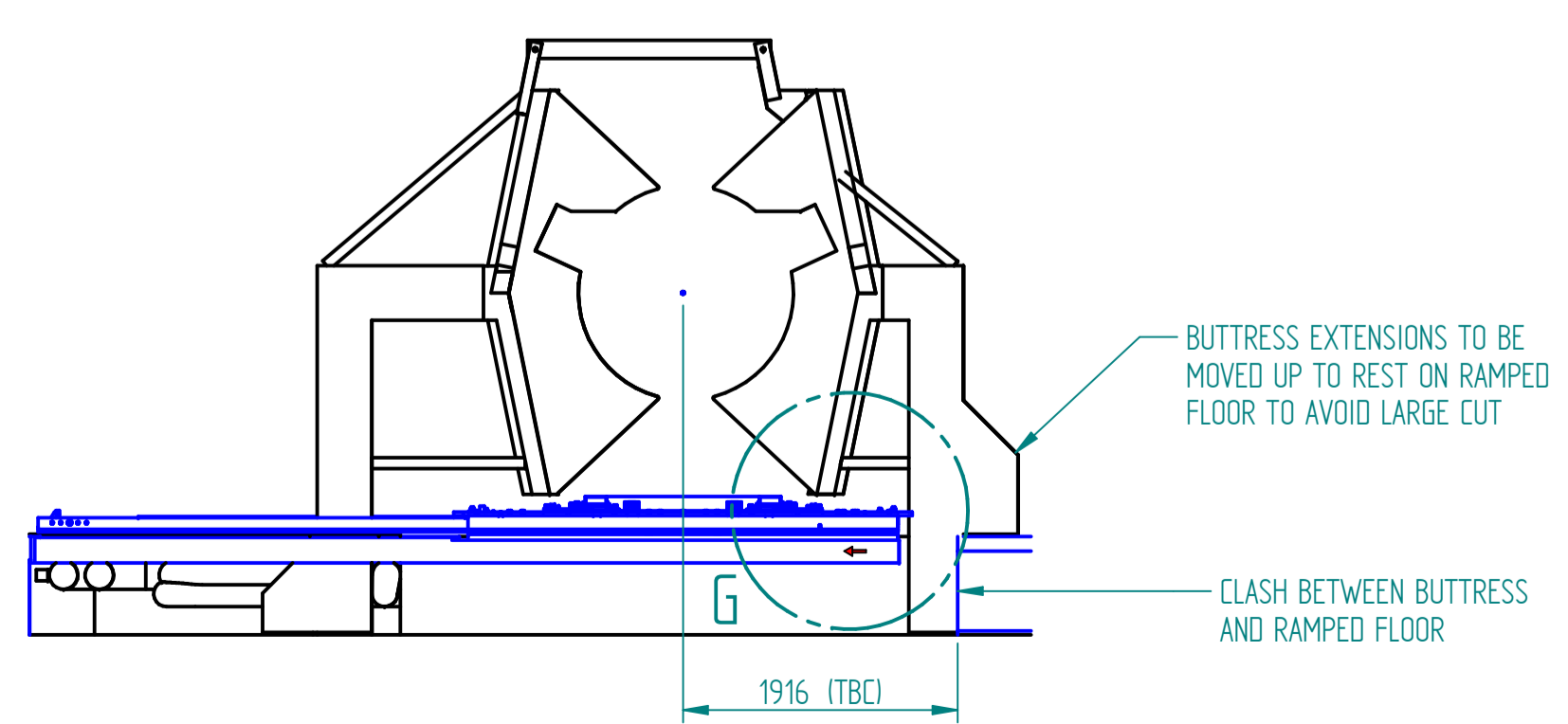
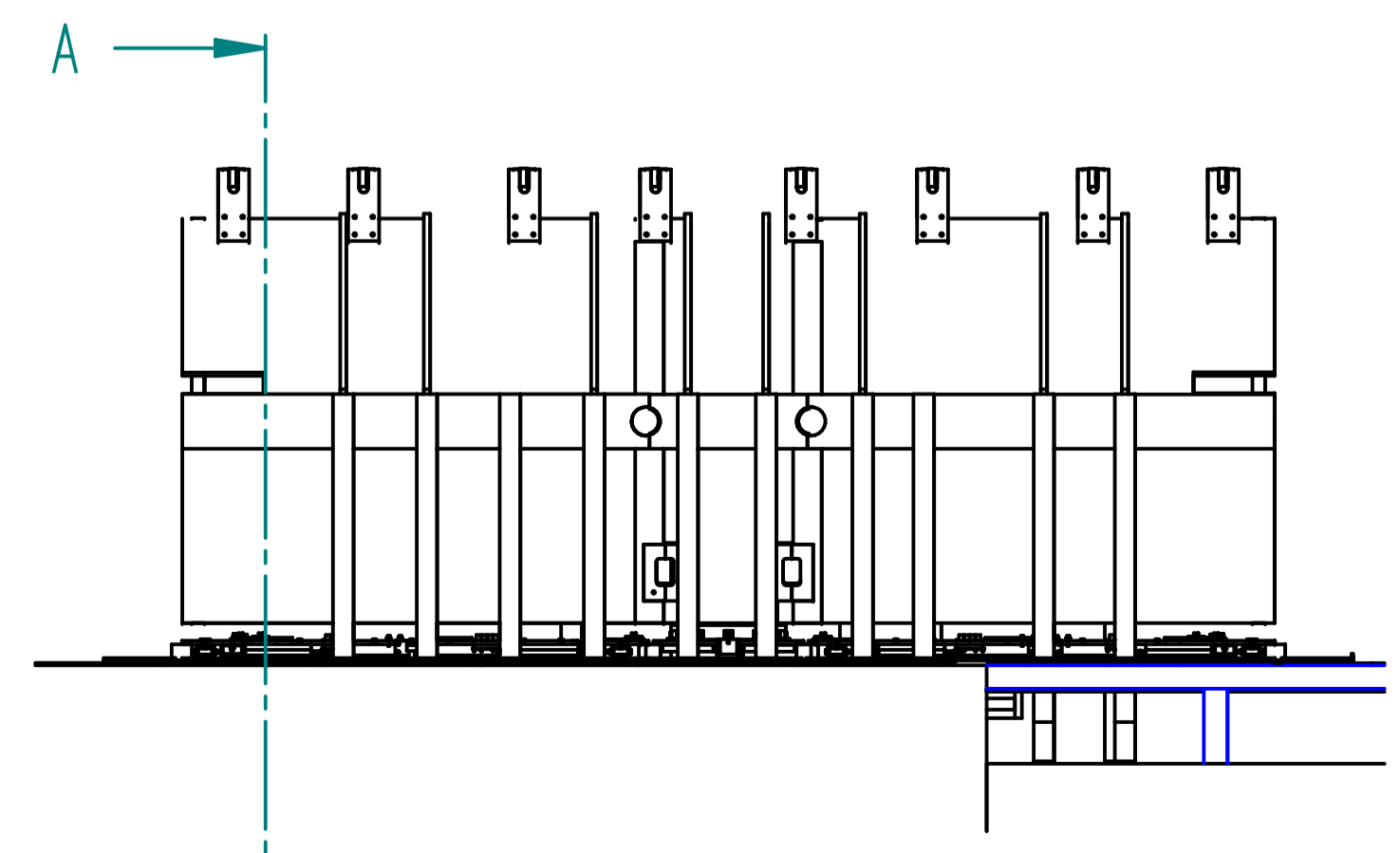
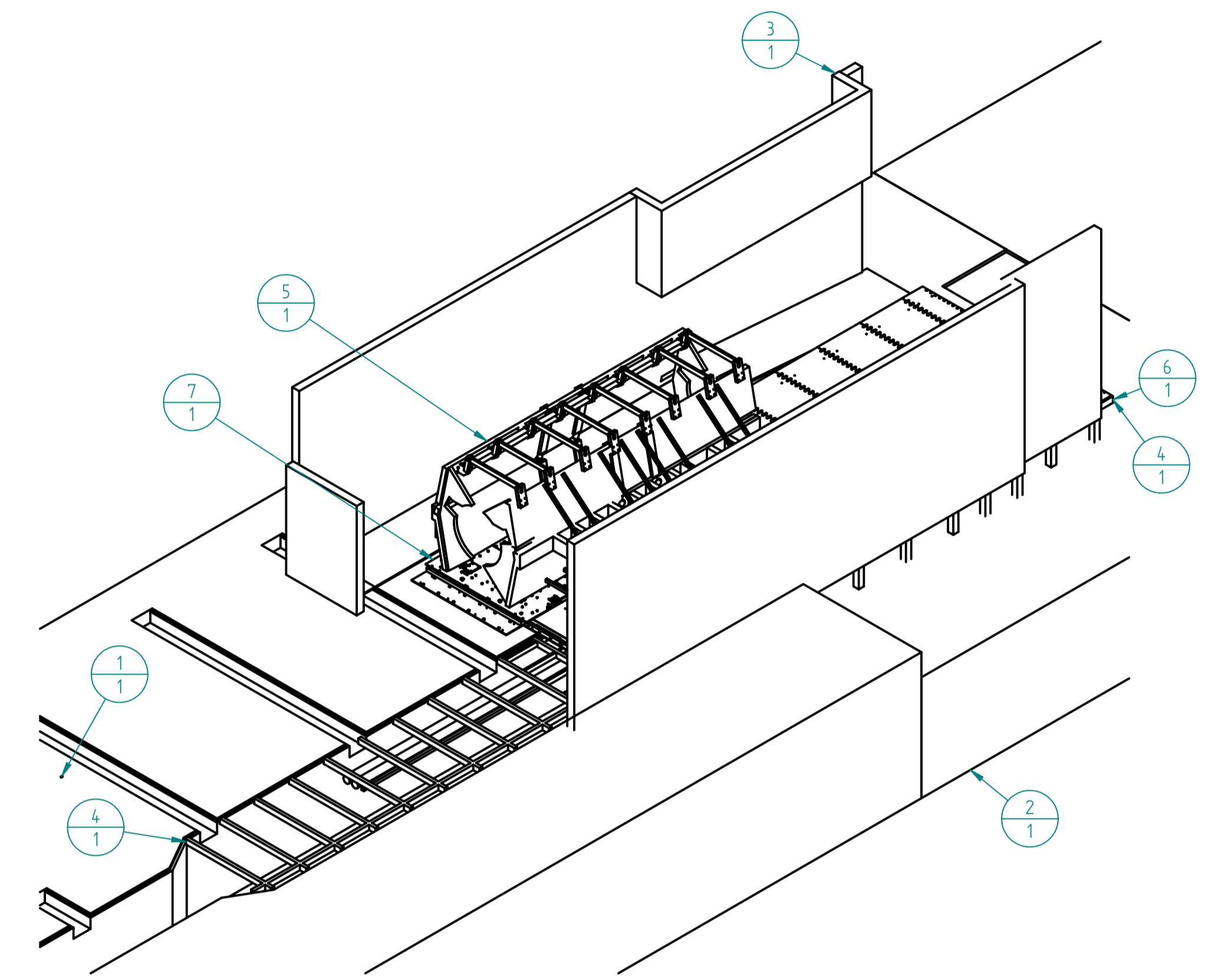


DETAIL E

DETAIL B



DETAIL G



FOR REVIEW ONLY
DRAFT - 19/09/13

NOTES
1/ ALL DIMENSION AS MODELLED TO NEAREST mm

A Error: No reference		J S TARRANT Error: No reference		MANUFACTURE ONLY WHEN STATUS IS RELEASED Error: No reference	
ISSUE	DATE APPD	MOD. No.	DRAWN BY	CHKD BY	APPD BY
TOLERANCES UNLESS STATED			SURFACE TEXTURE		
LINEAR ± SEE NOTE 1			N/A √ μm		
ANGULAR ±			N/A		
DRAWING CONFORMS TO BS 8888 TOLERANCING ISO 8015			FINISH		
DIMENSIONS IN mm UNLESS STATED			REMOVE ALL BURRS		
PROJECTS & MECHANICAL ENGINEERING GROUP (RAL)			USED ON MAGNETIC YOKE CHECKS		
HARWELL SCIENCE & INNOVATION CAMPUS, RUTHERFORD APPLETON LABORATORY, CHILTON, OXON, OX11 0QX					
FLOOR FIT WITH YOKE					
MICE INTEGRATION ENGINEERING					
A1 TD-1189-1459			SHEET 1 of 1		